

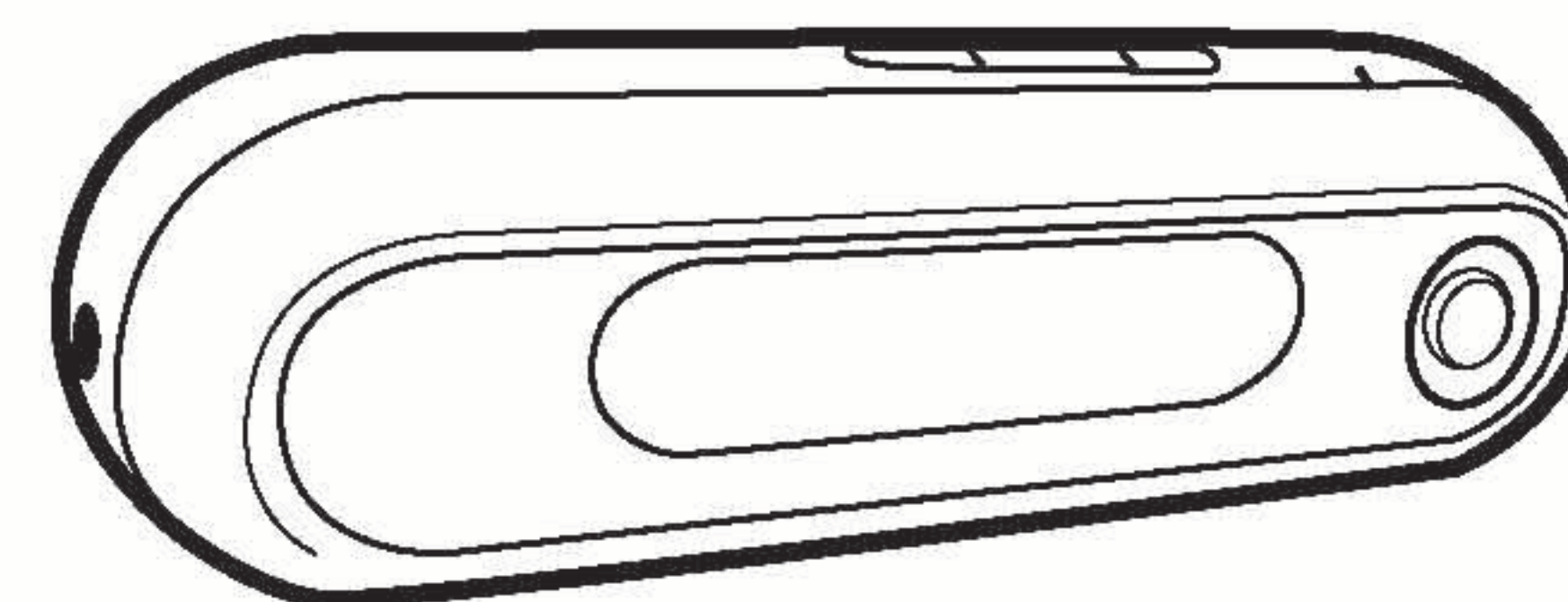
Memorex®

Is it live or is it Memorex?®

MMP3731 (Suffix B)

User's Guide

*Personal FM Stereo
MP3/WMA/WAV Player
with Voice/Radio Recorder*



Memcorp, Inc.
Weston, FL
Printed in China

Visit our website at www.memorexelectronics.com

**Before operating this product,
please read these instructions completely.**

PRECAUTIONS

COPYRIGHT:

- Distributing copies of MP3, WMA with DRM or WAV tracks without permission is a violation of international copyright laws.

SAFETY:

- Vibration experienced during walking or exercising will not affect the player. However, dropping the player or dropping a heavy object on the player may result in damage or sound distortion.
- Avoid spilling any liquid onto or into the player.
- Do not leave the player in a location near heat sources; in a location subject to direct sunlight, excessive dust, sand, moisture, rain or mechanical shock; on an unlevel surface; or in a car with the windows closed during periods of excessive heat.

ROAD SAFETY:

- Do not use headphones while driving, cycling or operating any motorized vehicle. It may create a traffic hazard and it is illegal in some areas. It can be potentially dangerous to play your headset at a high volume while walking, especially at pedestrian crossings. You should exercise extreme caution or discontinue use in potentially hazardous situations.

FCC WARNING:

- This equipment may generate or use radio frequency energy. Changes or modifications to this equipment may cause harmful interference unless the modifications are expressly approved in the instruction manual. The user could lose the authority to operate this equipment if an unauthorized change or modification is made.

FCC DECLARATION

This device complies with Part 15 of the FCC Rules. Operation is subject to the following two conditions: (1) This device may not cause harmful interference, and (2) This device must accept any interference received, including interference that may cause undesired operation.

Warning: Changes or modifications to this unit not expressly approved by the party responsible for compliance could void the user's authority to operate the equipment.

NOTE: This equipment has been tested and found to comply with the limits for a Class B digital device, pursuant to Part 15 of the FCC Rules. These limits are designed to provide reasonable protection against harmful interference in a residential installation. This equipment generates, uses and can radiate radio frequency energy and, if not installed and used in accordance with the instructions, may cause harmful interference to radio communications.

However, there is no guarantee that interference will not occur in a particular installation. If this equipment does cause harmful interference to radio or television reception, which can be determined by turning the equipment off and on, the user is encouraged to try to correct the interference by one or more of the following measures:

- Reorient or relocate the receiving antenna.
- Increase the separation between the equipment and receiver.
- Connect the equipment into an outlet on a circuit different from that to which the receiver is connected.
- Consult the dealer or an experienced radio/TV technician for help.

Shield cable must be used with this unit to ensure compliance with the class B FCC limits.



Dear Customer:

Selecting fine audio equipment such as the unit you've just purchased is only the start of your musical enjoyment. Now it's time to consider how you can maximize the fun and excitement your equipment offers. This manufacturer and the Electronic Industries Association's Consumer Electronics Group want you to get the most out of your equipment by playing it at a safe level. One that lets the sound come through loud and clear without annoying blaring or distortion and, most importantly, without affecting your sensitive hearing.

Sound can be deceiving. Over time your hearing "comfort level" adapts to higher volumes of sound. So what sounds "normal" can actually be loud and harmful to your hearing. Guard against this by setting your equipment at a safe level BEFORE your hearing adapts.

To establish a safe level:

- Start your volume control at a low setting.
- Slowly increase the sound until you can hear it comfortably and clearly, and without distortion.

Once you have established a comfortable sound level:

- Set the dial and leave it there.

Taking a minute to do this now will help to prevent hearing damage or loss in the future. After all, we want you listening for a lifetime.

We Want You Listening For A Lifetime

Used wisely, your new sound equipment will provide a lifetime of fun and enjoyment. Since hearing damage from loud noise is often undetectable until it is too late, this manufacturer and the Electronic Industries Association's Consumer Electronics Group recommend you avoid prolonged exposure to excessive noise. This list of sound levels is included for your protection.

Decibel

<u>Level</u>	<u>Example</u>
30	Quiet library, soft whispers
40	Living room, refrigerator, bedroom away from traffic
50	Light traffic, normal conversation, quiet office
60	Air conditioner at 20 feet, sewing machine
70	Vacuum cleaner, hair dryer, noisy restaurant
80	Average city traffic, garbage disposals, alarm clock at two feet

THE FOLLOWING NOISES CAN BE DANGEROUS UNDER CONSTANT EXPOSURE:

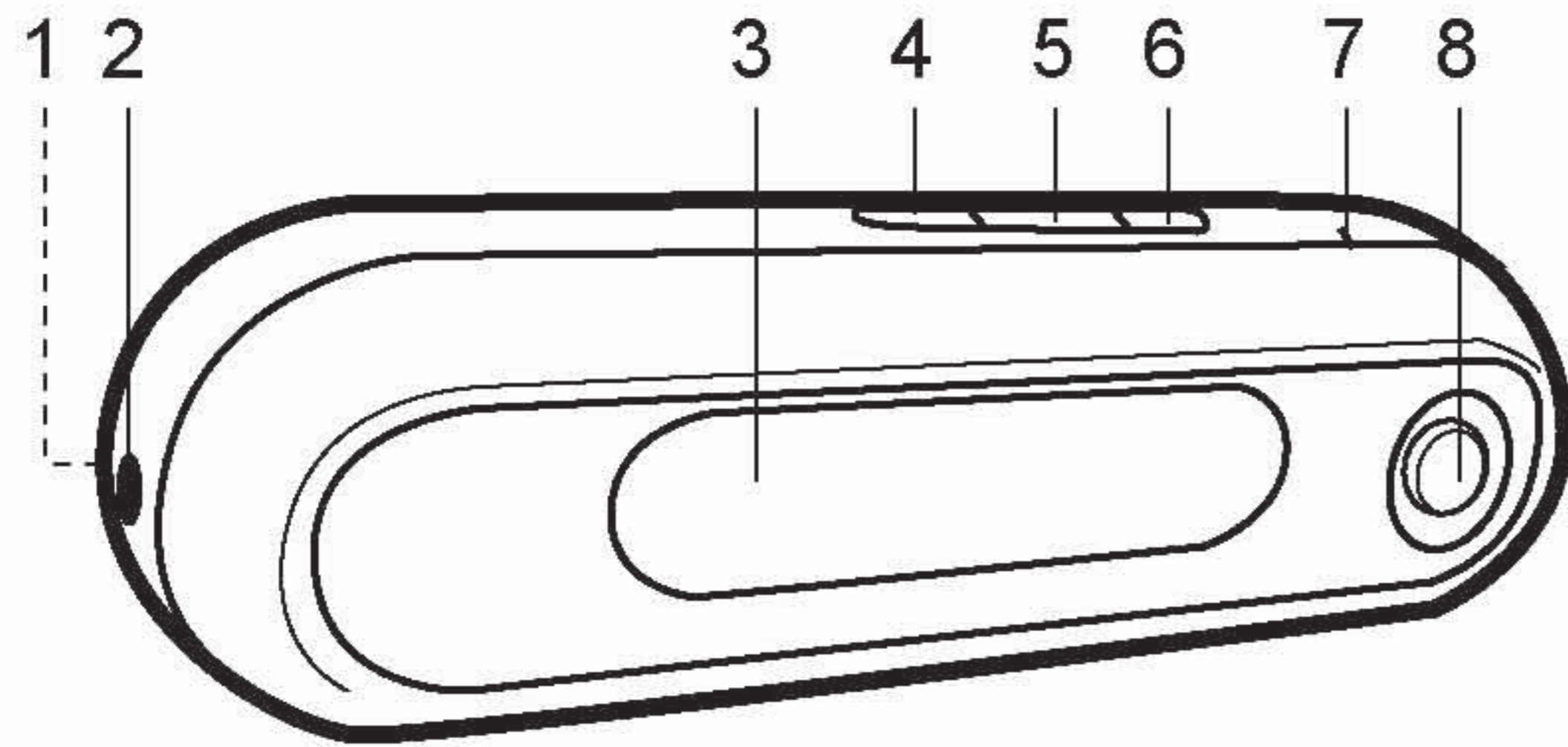
90	Subway, motorcycle, truck traffic, lawn mower
100	Garbage truck, chain saw, pneumatic drill
120	Rock band concert in front of speakers, thunderclap
140	Gunshot blast, jet engine
180	Rocket launching pad

Information courtesy of the Deafness Research Foundation.

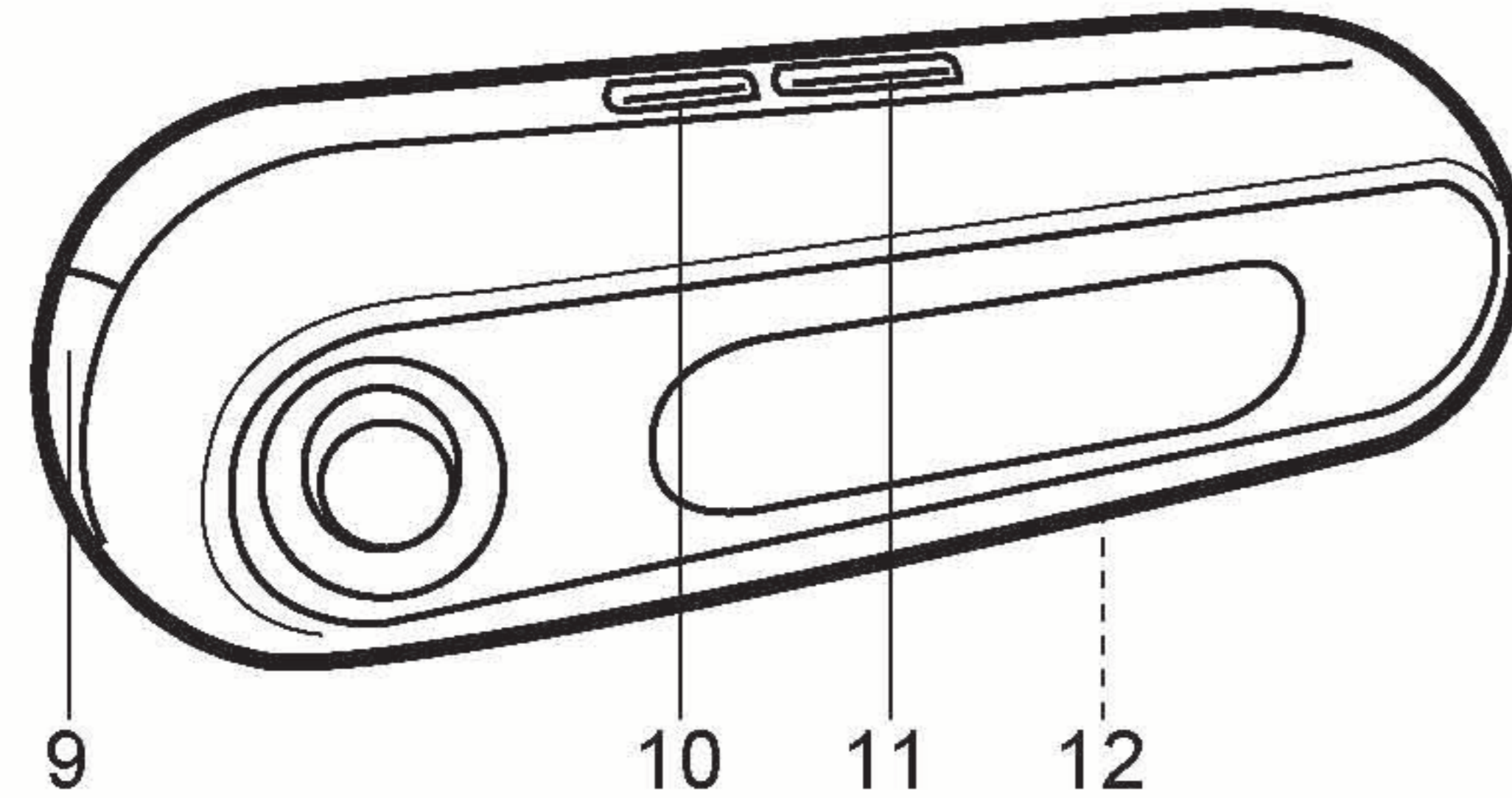


LOCATION OF CONTROLS

TOP/FRONT



BOTTOM



- | | |
|---|--|
| 1. Neck/Hand Strap Holder (Strap(s) not included) | 7. Built-in Microphone |
| 2. Headphone Jack | 8. Navigation Control |
| 3. Display | 9. USB Port |
| 4. ●/EQ/Repeat/Mono Button | 10. Mode Button |
| 5. Stop (■)/Preset/FM/Power Off Button | 11. Lock Switch |
| 6. Play/Pause (▶)/Auto/Power On Button | 12. Battery Compartment (Rear of Unit) |

BATTERY INSTALLATION

When the bars in the battery indicator (in the display) become low (see figure 1), replace the battery as follows.

1. Open the battery door by pressing in on the Triangle button, then sliding it towards the arrow as shown in figure 2.
2. Insert one (1) "AAA" battery as shown in figure 3. Alkaline batteries are recommended for the longest playing time.
3. Slide the battery door back on.

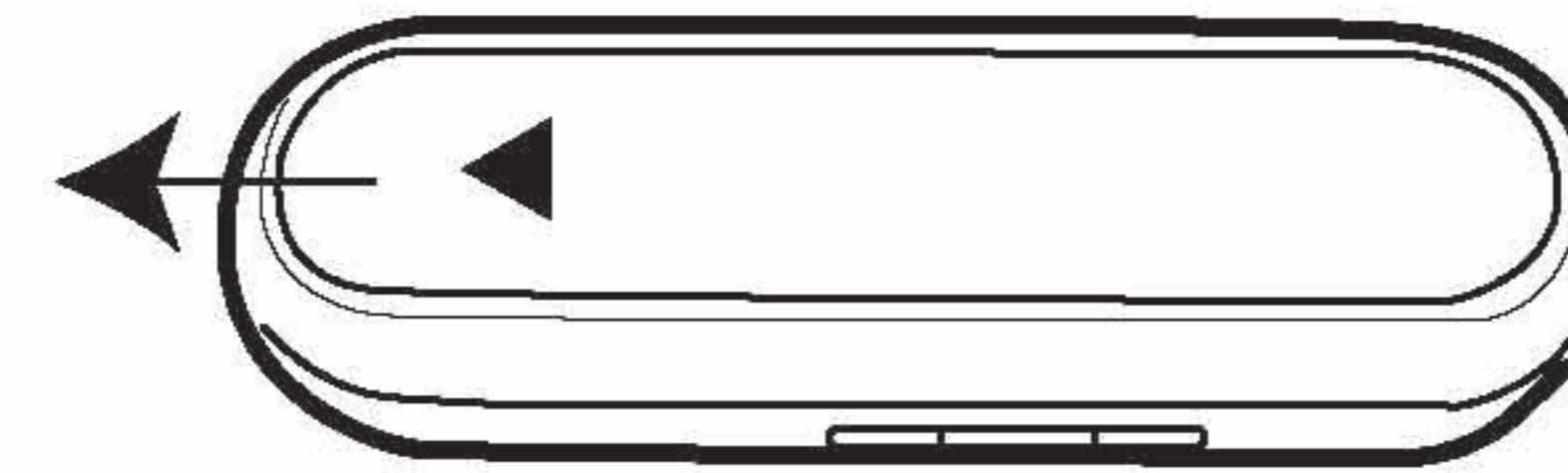
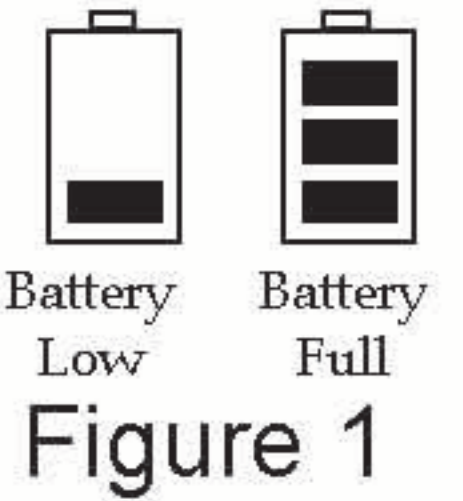


Figure 2

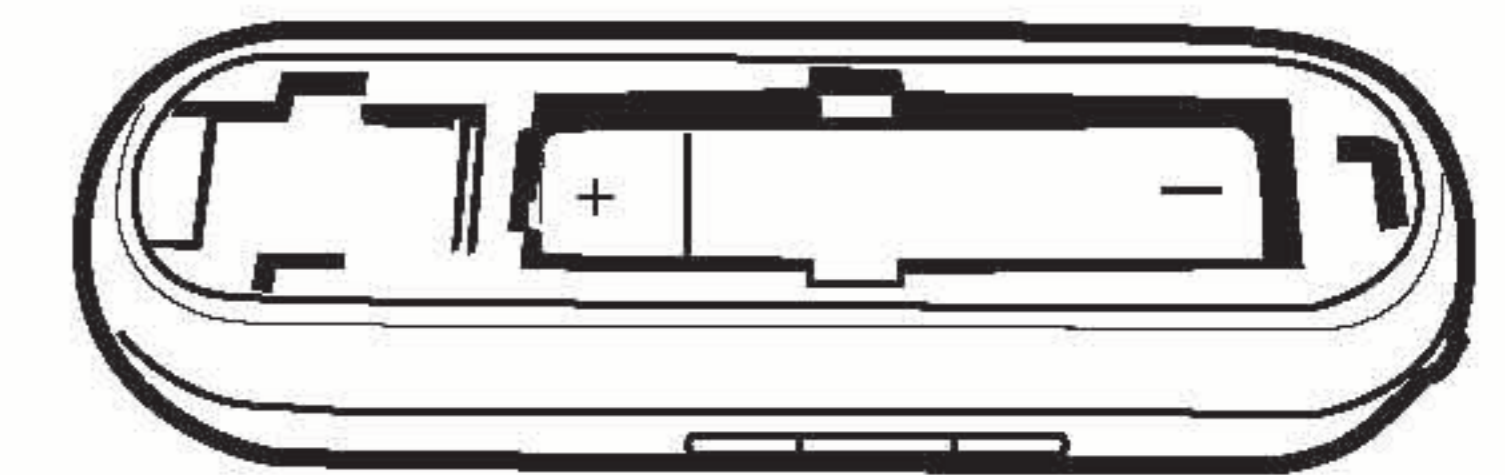


Figure 3

BATTERY PRECAUTIONS

Follow these precautions when using a battery in this device:

1. Use only the size and type of battery specified.
2. Be sure to follow the correct polarity when installing the battery as indicated. Reversed batteries may cause damage to the device.
3. If the device is not to be used for a long period of time, remove the battery to prevent damage or injury from possible battery leakage.
4. Do not try to recharge batteries not intended to be recharged; they can overheat and rupture. (Follow battery manufacturer's directions.)

DOWNLOADING AND TRANSFERRING FILES

TO INSTALL THE "DIGITAL AUDIO PLAYER" CD SOFTWARE

For Windows ME, Windows2000 or Windows XP:

Windows will automatically detect the audio player without installing the CD software when the USB cable is connected.

For Macintosh OSX:

Macintosh OSX will automatically detect the audio player without installing the CD software. Do not install the software when using a Macintosh.

For Windows98SE:

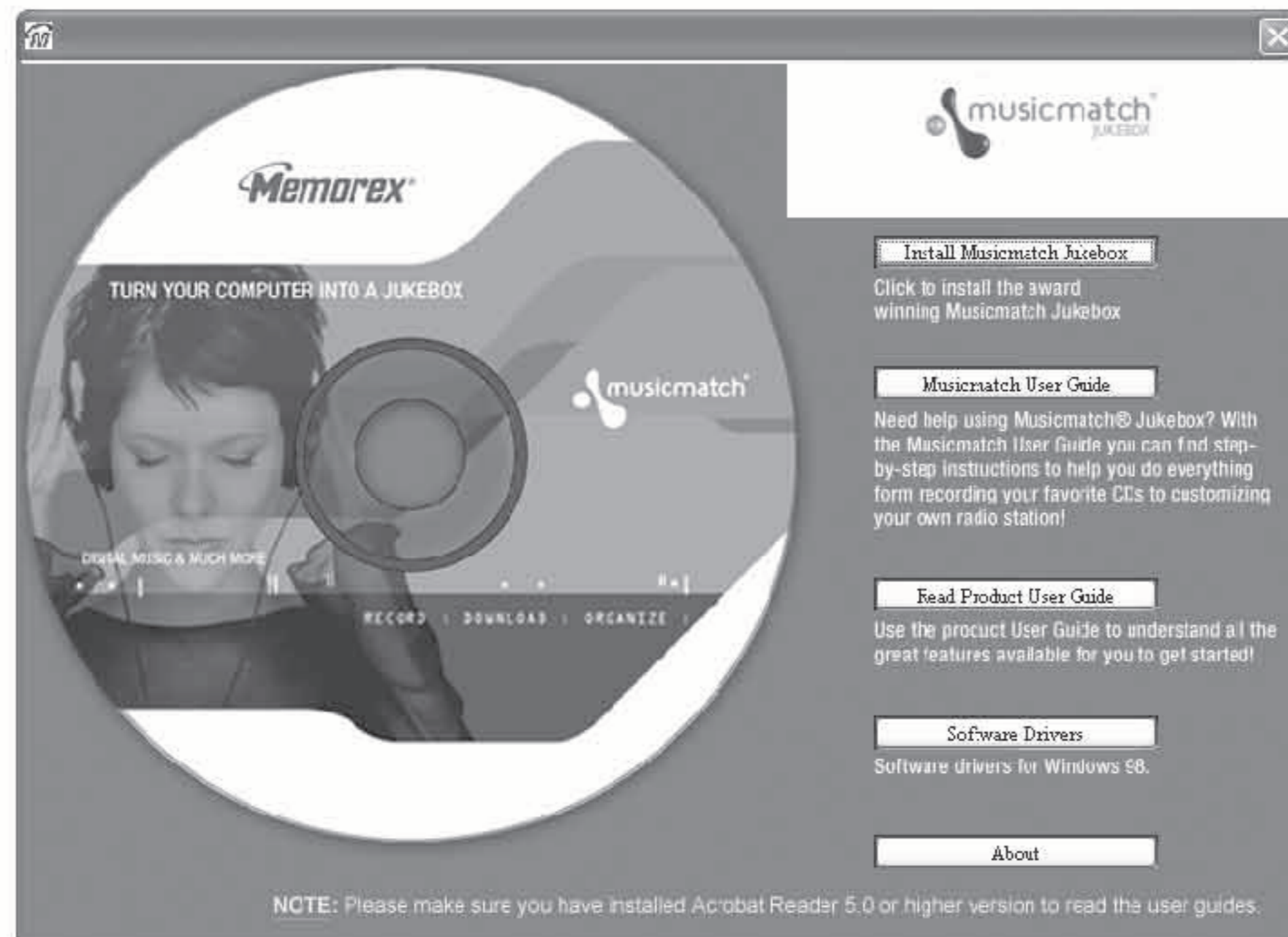
The USB mass storage function will not be activated without driver installation. To activate the USB mass storage function, please use the installation CD-Rom to install the driver.

For Windows 98SE, if you are connecting your player to your computer for the first time, please follow these instructions:

Procedure to Install Player Driver

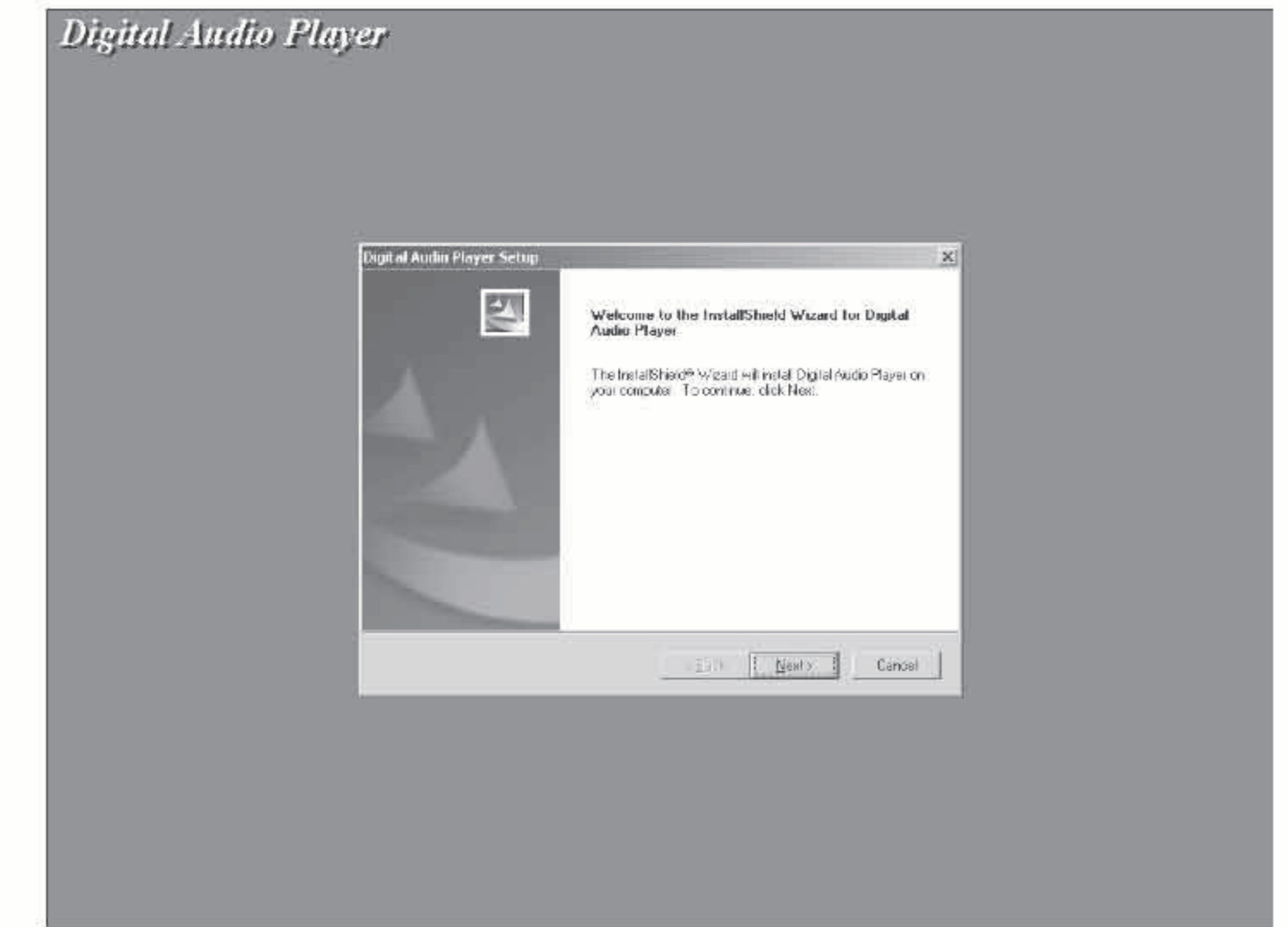
1. Insert the Installation CD-Rom into the CD Drive; the auto-run program will display the Main Menu Window. Click "Software Drivers".

NOTE: If the Main Menu Window does not appear, double click "Memorex Startup CD" Application file in the installation CD in order to open the Main Menu.



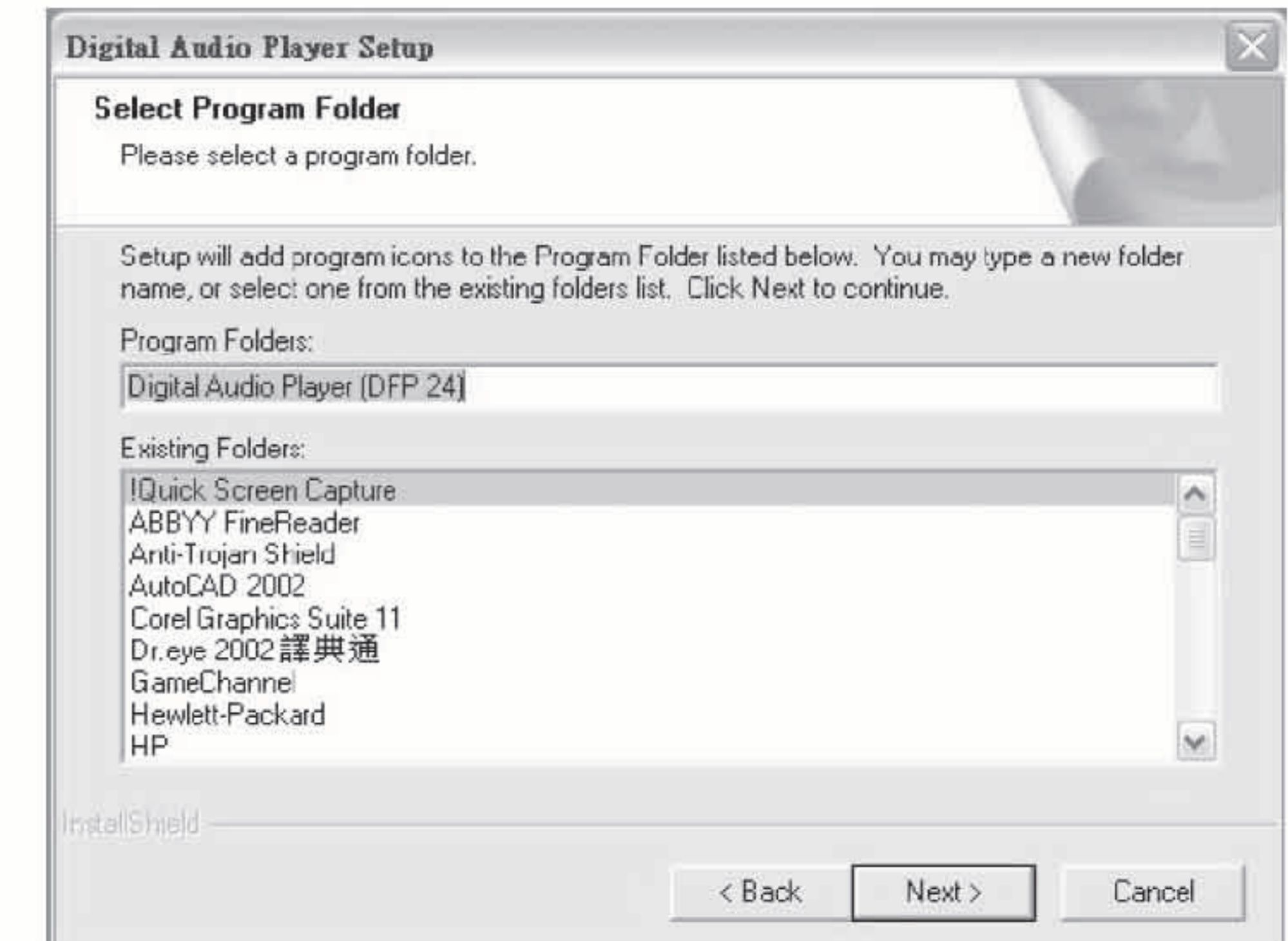
DOWNLOADING AND TRANSFERRING FILES (CONTINUED)

2. Click "MMP3731B" to run the Windows 98SE Driver.
3. Follow the on screen instructions to install the software.

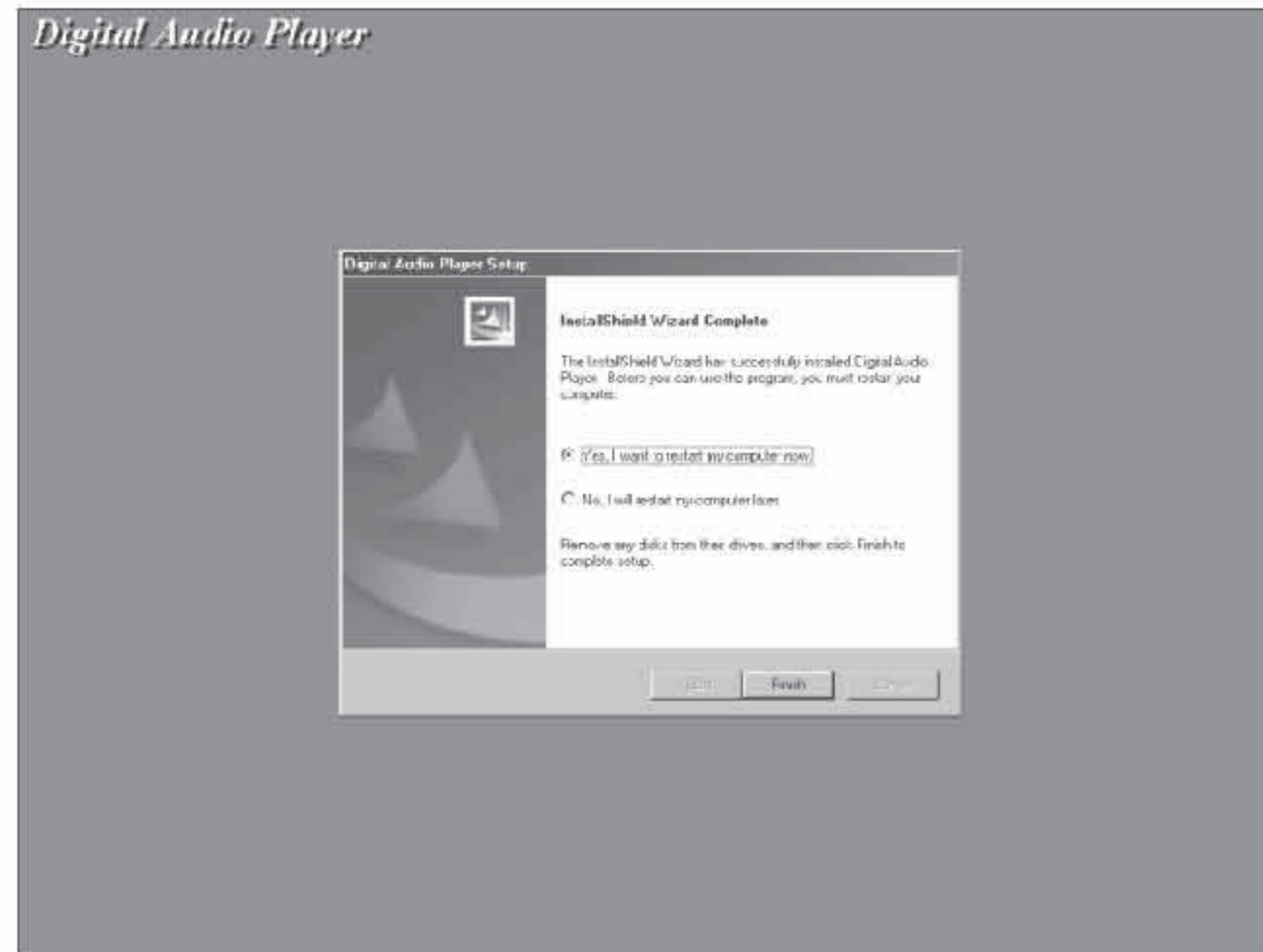


4. Install the software under the directory as prompted.

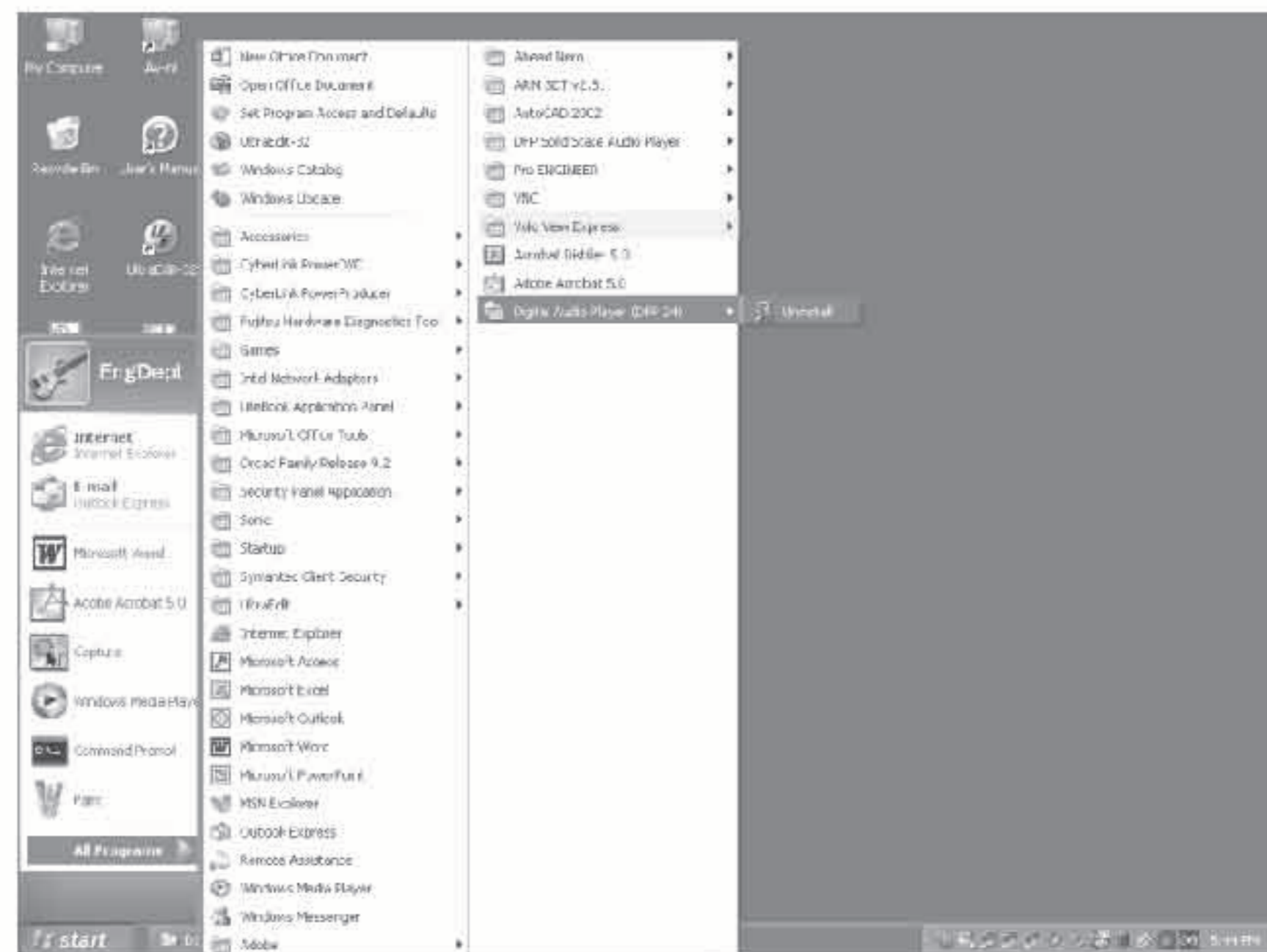
Warning: DO NOT change the installation path. Otherwise, the driver may not run properly



- After successfully installing the driver software, click YES to restart the computer.



- When the installation has completed, the new program will be added to the PROGRAM menu on your computer.

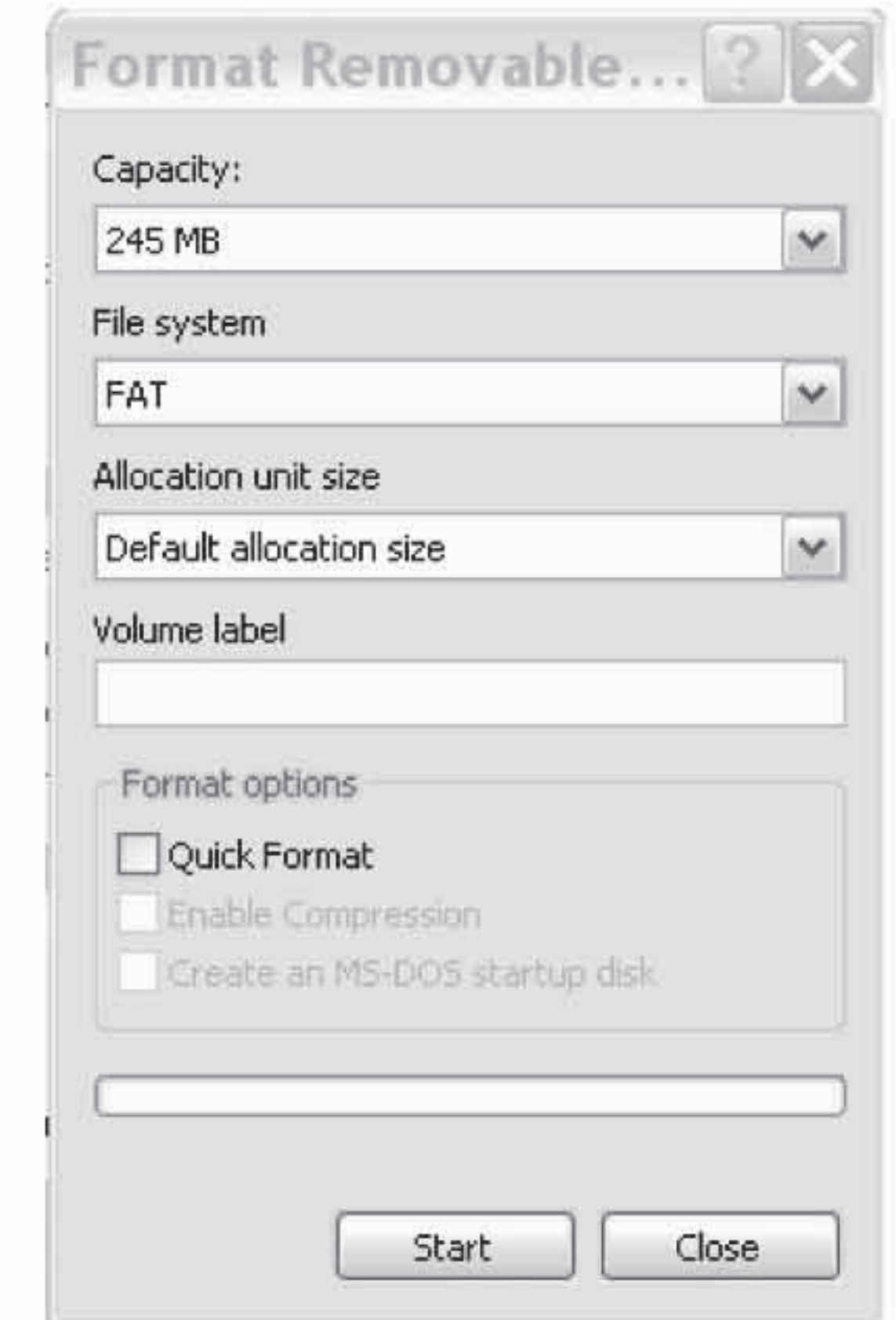


Formatting the Player

- Use the USB cable to connect the player and the computer
- Double click on My computer, right click the "Removable Disk" and left click on "Format".
- At the "Format" window, select "FAT" from the file system pull down menu, then click start to format the unit (see figure to the right).

NOTE: Make sure you have selected the "FAT" at the file system pull down menu, otherwise after formatting, the player will not work properly.

- Click OK to confirm and the player will start to format.
- When finished, click "Close" to close the Format window.



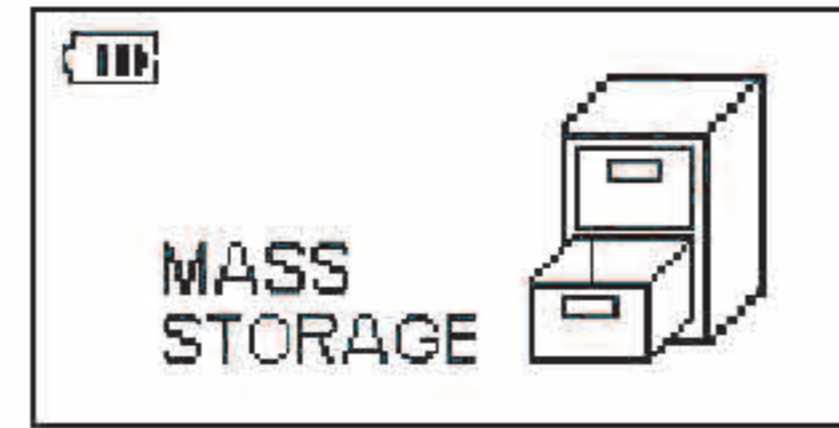
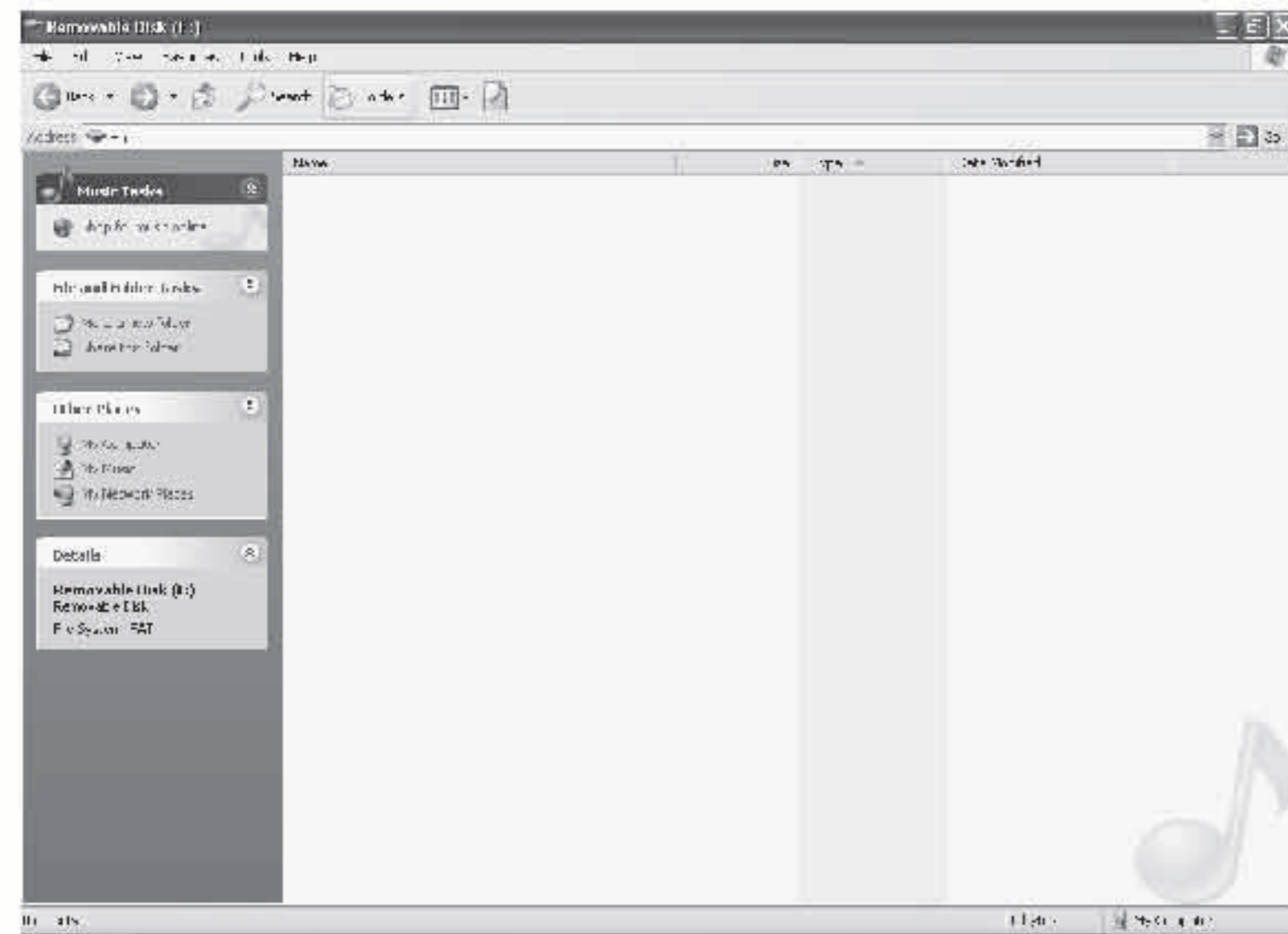
TRANSFERRING FILES

You can download MP3 files from the internet or use encoding software to convert music that you have on an audio CD into MP3 formats. Once these files are stored on your computer you can easily copy them to your player.

Connect the computer to your player using the supplied USB cable.

Press the Play/Pause (▶||)/Auto/Power On button to turn the unit on.

A "Removable Disk" window will automatically pop up on your computer screen.



To add more files and songs to your player simply drag and drop MP3, WMA or WAV files from anywhere on your computer into the "Removable Disk" window.

Note: WMA files with DRM will not playback if you directly drag and drop it into the "Removable Disk" window.

When you are finished, see the Safely Remove Hardware procedure on the next page before disconnecting the player.

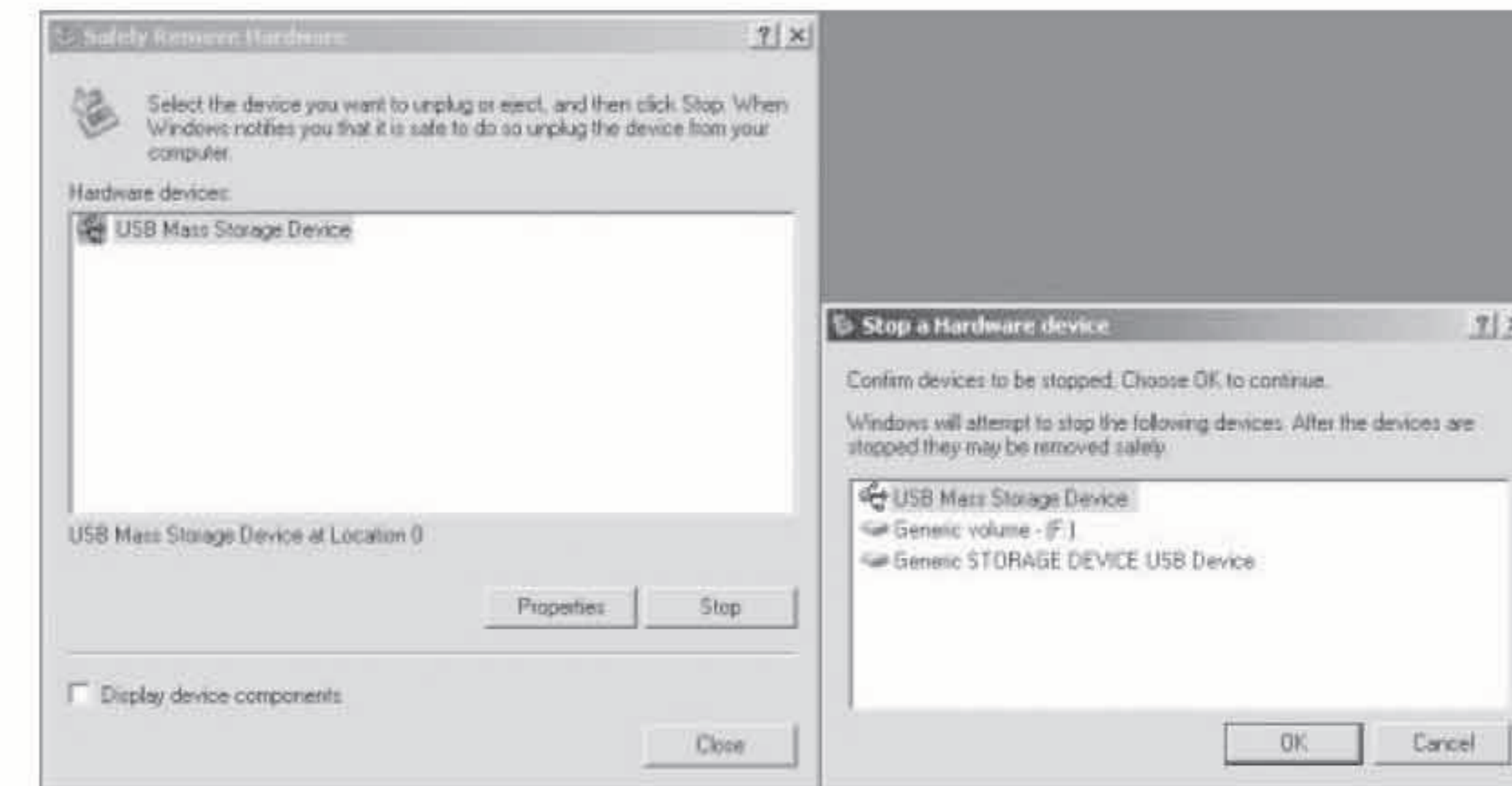
SAFELY REMOVING YOUR PLAYER FROM THE COMPUTER

NOTE: To avoid damage to your player or data loss, always follow the procedure listed below before disconnecting the USB cable from your computer or disconnecting the player from the USB cable.

Using your mouse, double click the "Safely Remove Hardware" icon on the task bar.



From the "Safely Remove Hardware" window, select "USB Mass Storage Device" and click the "Stop" button. The "Stop a Hardware Device" window will pop up as shown: Click "OK". When the "Safe to Remove Hardware" window is displayed, you may



remove the player from the USB cable or remove the USB cable from the computer. **NOTE:** If the "Safely Remove Hardware" icon is not displayed on the task bar, please double click on My Computer. Right click on "Removable Disk" and left click on "eject". Then it is safe to remove the player from the computer.

MUSICMATCH JUKEBOX INSTALLATION (PC ONLY):

1. Insert the Installation CD-ROM into the CD Drive, the auto-run program will display the Main Menu. Click "Install Musicmatch Jukebox".
NOTE: If the Main Menu Window does not appear, double click "Memorex Startup CD" Application file in the installation CD in order to open the Main Menu.
2. Follow the online prompts to complete the installation.

DOWNLOADING TRACKS TO THE UNIT USING MUSICMATCH JUKEBOX (MMJB)

Please follow these instructions for transferring tracks from the computer to the unit.

NOTE: Please follow this procedure for WMA files protected with DRM. If you have transferred WMA files with DRM through drag and drop procedure, the files will not playback.

1. Install the MMJB Software.
2. Turn the unit ON, then connect the USB cable to the unit and the USB port of the computer. "Mass Storage" will be displayed on the LCD when it is properly connected.
3. Open MMJB and click "Portable Device" on the left hand side of the window. The "Portable Device Manager" window will pop up. MMJB may need some time while synchronizing with the device.
4. You may now either:
 - a. Click the "Add" button and search for tracks or Playlists. Highlight the desired tracks or Playlists and click "Add".
 - b. Drag and drop tracks into the Portable Device Manager window from anywhere on your computer or from the MMJB Library.
5. The tracks are now properly transferred to the player. Follow the "Safely Remove Hardware" procedure and unplug the unit from the computer. Insert the headphones and listen to your music.

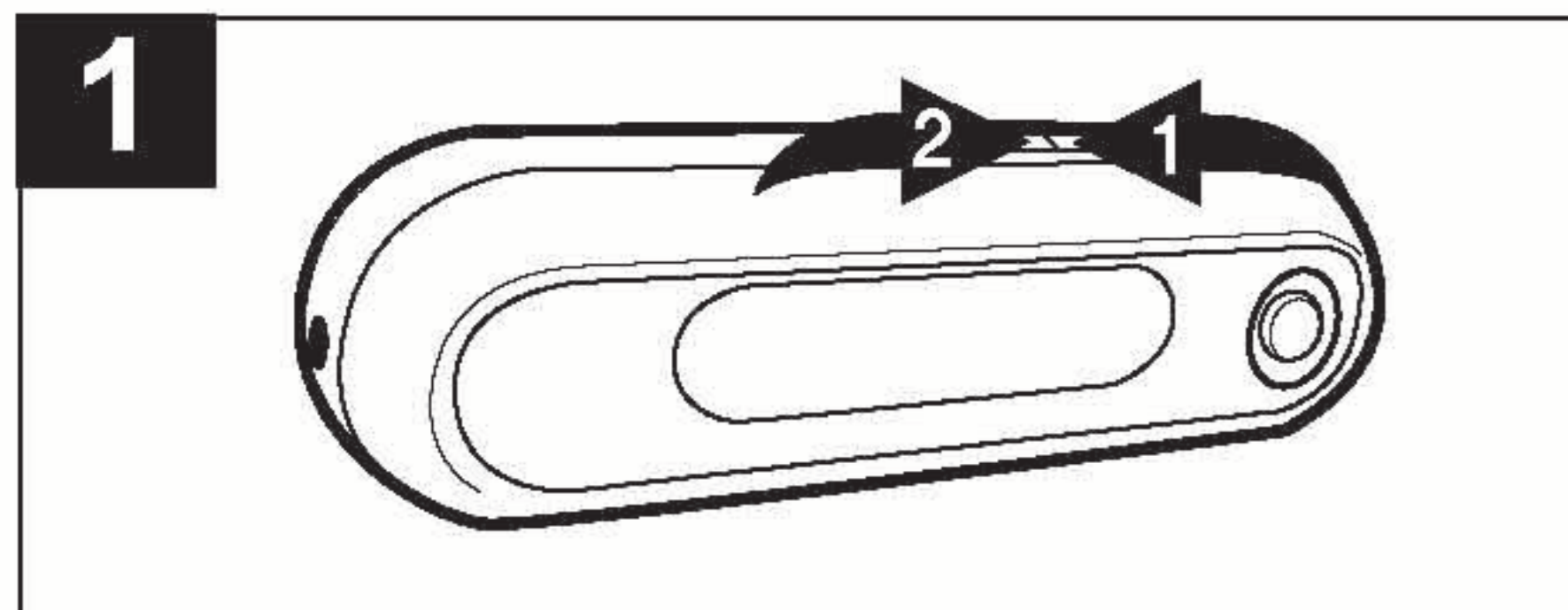
RECORDING TRACKS FROM A CD TO A COMPUTER USING MUSICMATCH JUKEBOX (MMJB)

1. Click the "Copy From CD" button on the left hand side of the window to open the Recorder window.
2. Insert an audio CD into your CD-ROM drive.
(CD Lookup will read your CD and attempt to fill in Album, Artist, and Track (Tag) information if the computer connected to the internet)
3. Tick the boxes next to the tracks that you wish to record.
4. Click the "Start Copy" button. (The files will be recorded as MP3 files at 128Kbps). MMJB will start to record from the audio CD, to the digital file format you choose, and place recorded files into the Library.

Important Note: For further details please consult the "Musicmatch User Guide" located on the Main Menu of the Installation CD.

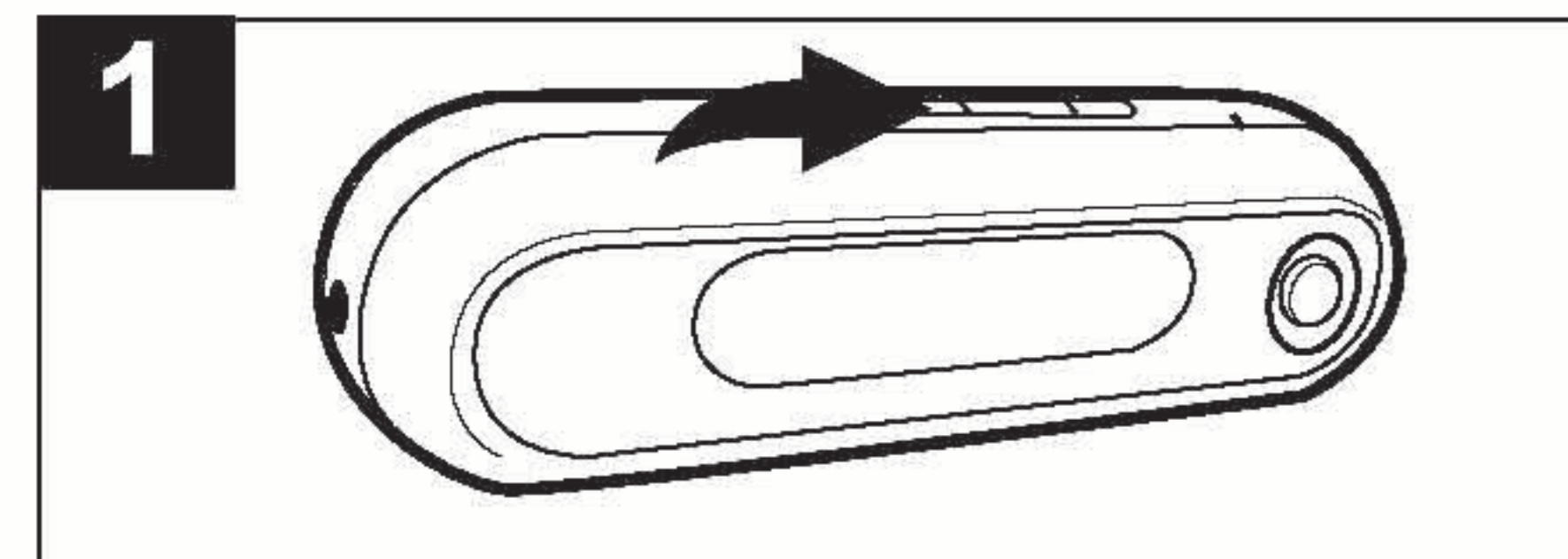
OPERATION

TURNING THE POWER ON/OFF



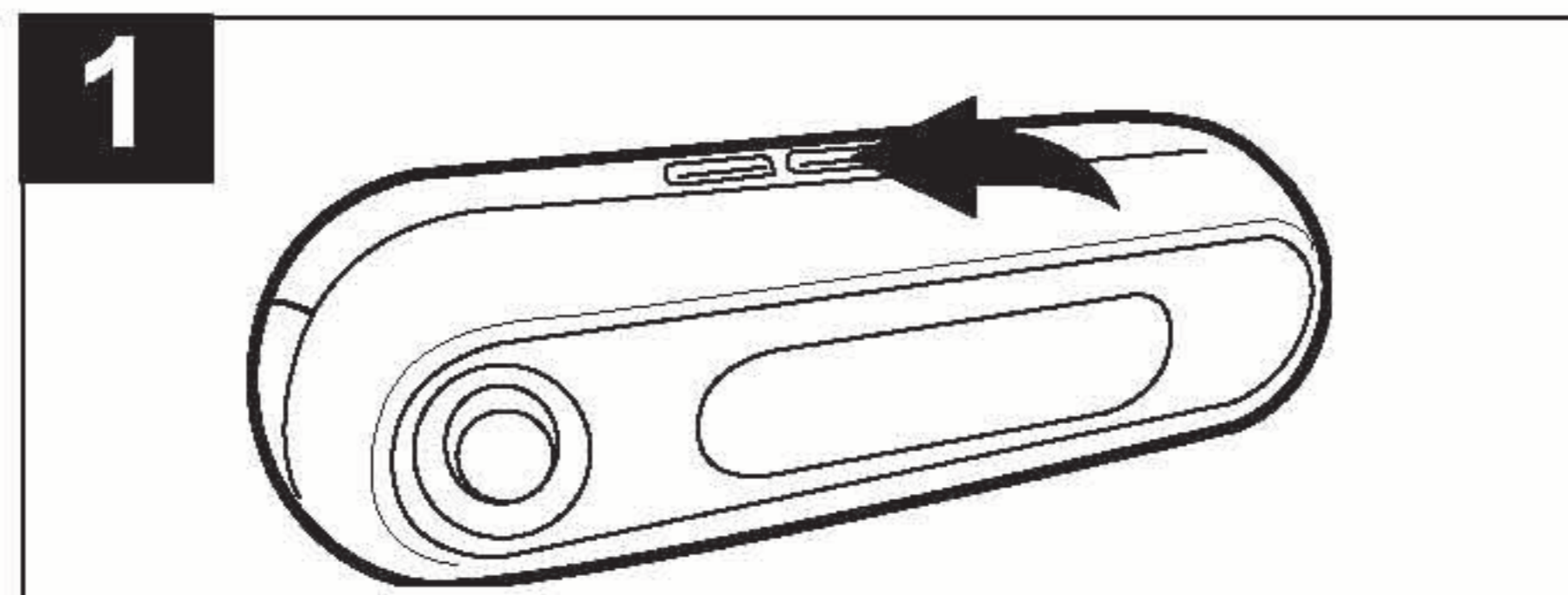
Turn the unit on by pressing the Play/Pause (▶||)/Auto button ① for about one second; the Memorex start screen will appear in the display temporarily. To turn the unit off, press and hold the Stop (■)/Preset FM button ②; "Continue Holding to Power Off" will appear in the display. When the unit turns off, release the Stop (■)/Preset FM button ②.

EQ - MUSIC PLAYER ONLY



Press and hold the ●/EQ/Repeat/Mono button until the EQ display text has a clear background. Then, repeatedly press the ●/EQ/Repeat/Mono button to select the desired EQ setting: NORM (Normal), ROCK, UBAS (Ultra Bass), JAZZ, CLAS (Classical), POP. Wait two seconds and the unit will exit EQ setting mode.

LOCK SWITCH



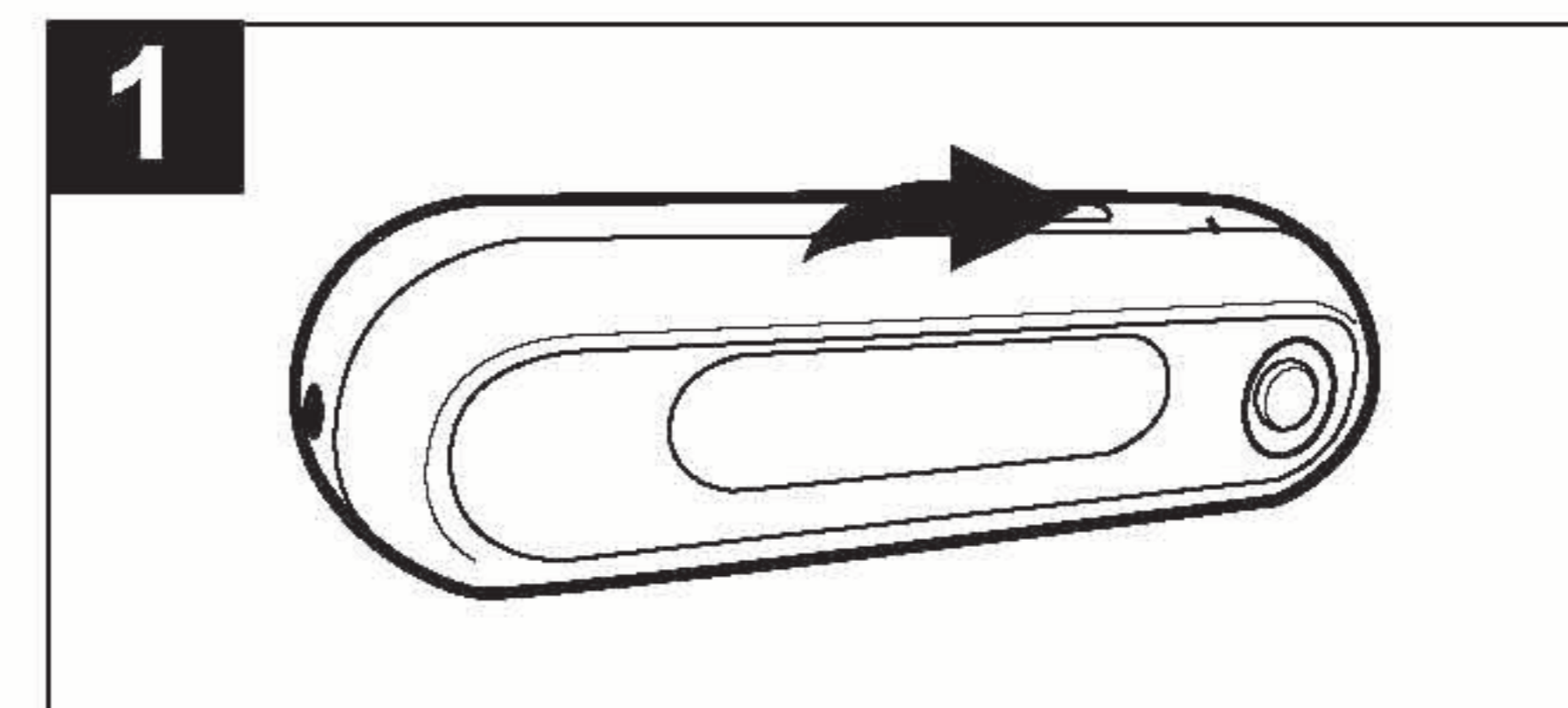
Slide the Lock switch to the Lock position; the lock indicator will appear in the display and there will be no function when you press the buttons. This is useful when you do not want the station/track changed by accidentally pressing a button. Slide the LOCK switch to the Unlock position to cancel the Lock function.

NOTE:

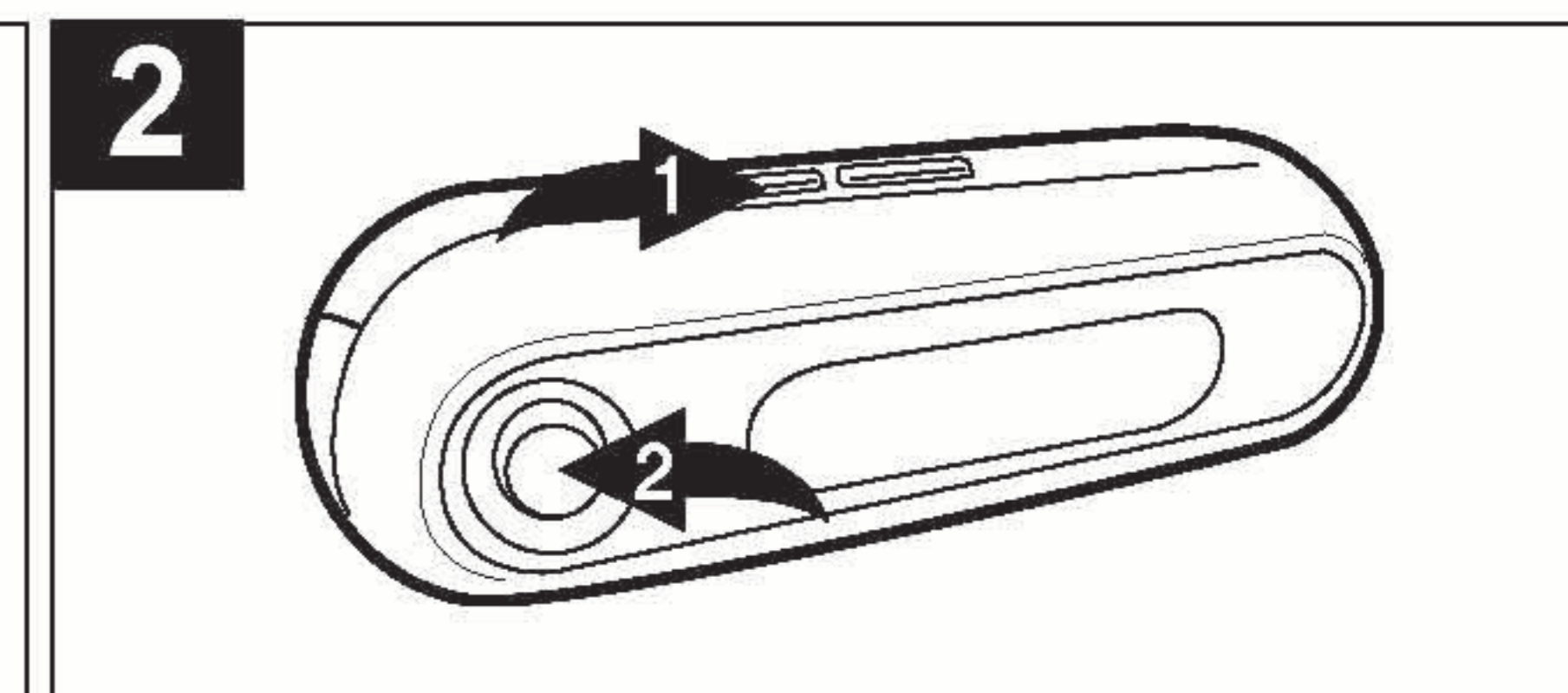
- If you attempt to turn the power on while the LOCK switch is in the Lock (down) position, the unit will show "HOLD" and then turn off.

OPERATION (CONTINUED)

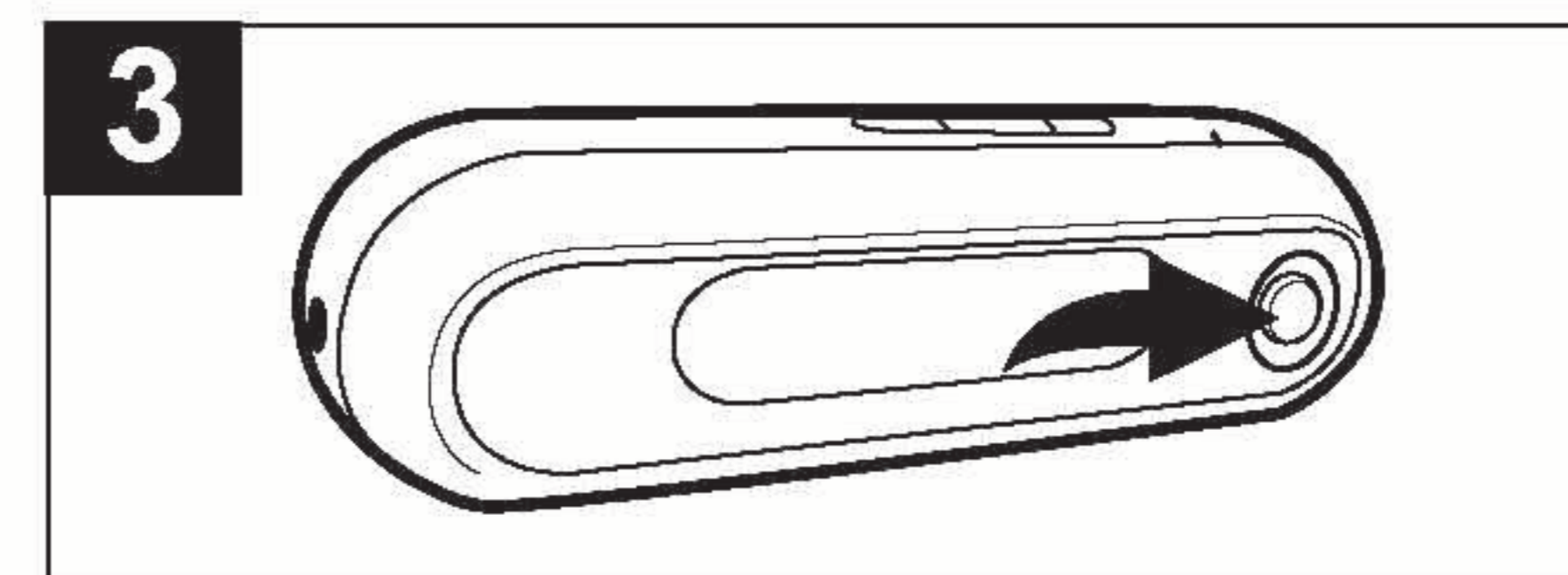
TO LISTEN TO THE FM RADIO



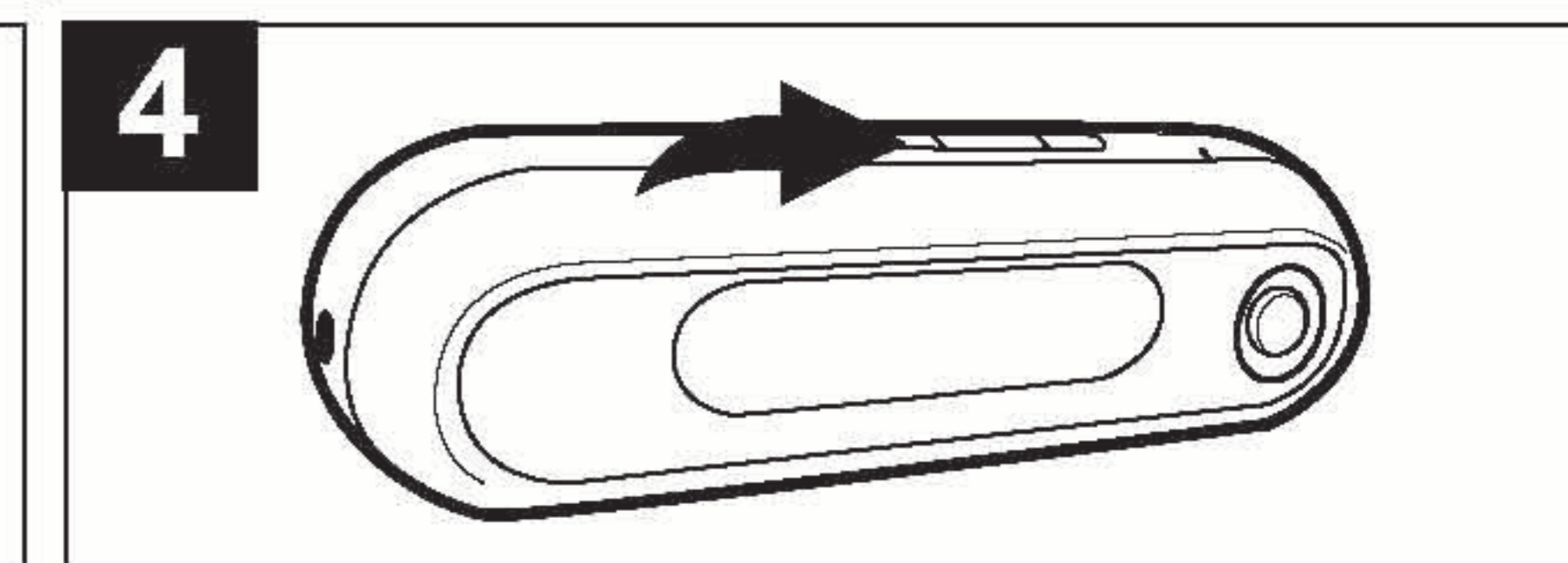
Turn the unit on by pressing the Play/Pause (▶||)/Auto button for about one second; the Memorex start screen will appear in the display temporarily.



Press the MODE button ①; the Main menu will appear in the display. Within six seconds, push the Navigation control ② towards ▶|| until FM RADIO is selected, then press the Navigation control ② to select it.



Push and release the Navigation control towards ◀◀ or ▶▶ to tune a station. For rapid search tuning, push and hold the Navigation control towards ◀◀ or ▶▶ for one second, then release; the unit will automatically search and stop on the next strongest station.

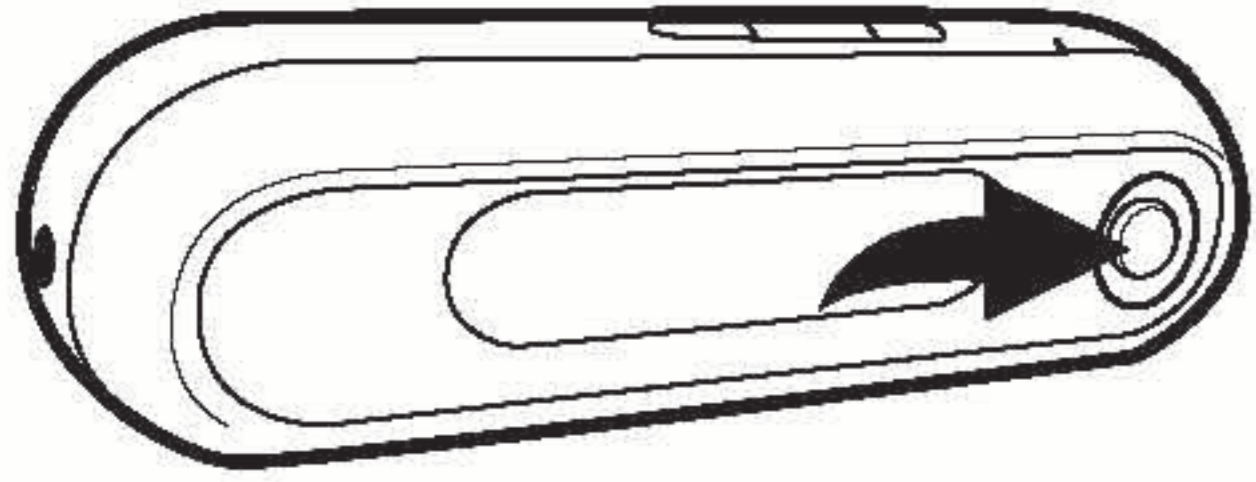


When a station is broadcasting in stereo, "STEREO" will appear in the display. Press the ●/EQ/Repeat/Mono button to listen in mono, "STEREO" will disappear in the display. Press the ●/EQ/Repeat/Mono button again to return to stereo. If the station is not strong enough or is not broadcasting in stereo, "STEREO" will not appear..

CONTINUED ON THE NEXT PAGE

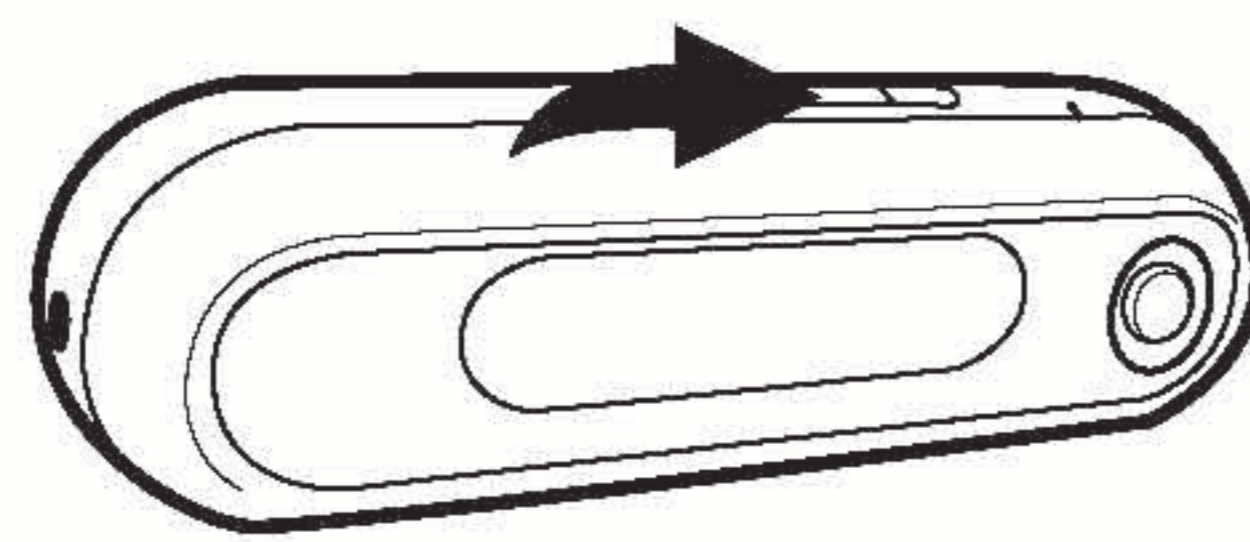
OPERATION (CONTINUED)

5



Push the Navigation control towards + to increase the volume or towards – to decrease the volume.

6



To turn the unit off, press and hold the Stop (■)/Preset/FM button; “Continue Holding to Power Off” will appear in the display. When the unit turns off, release the Stop (■)/Preset/FM button.

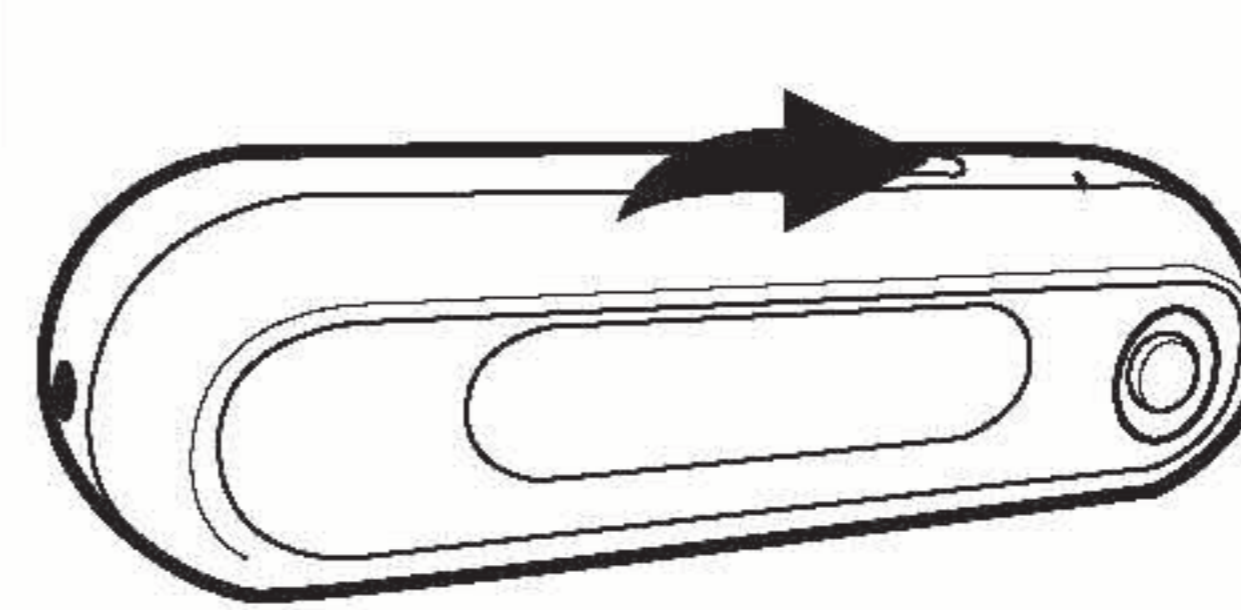
ANTENNA

FM – The headphones act as an antenna for FM. Extend the headphone wire for best FM reception.

OPERATION (CONTINUED)

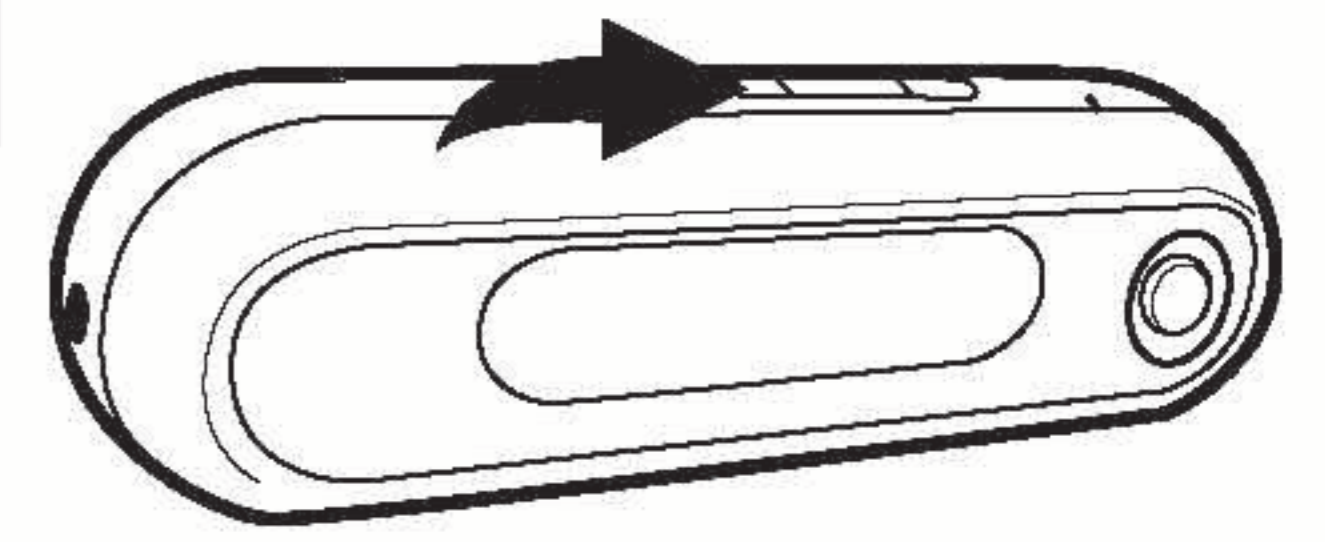
RECORDING THE FM RADIO

1



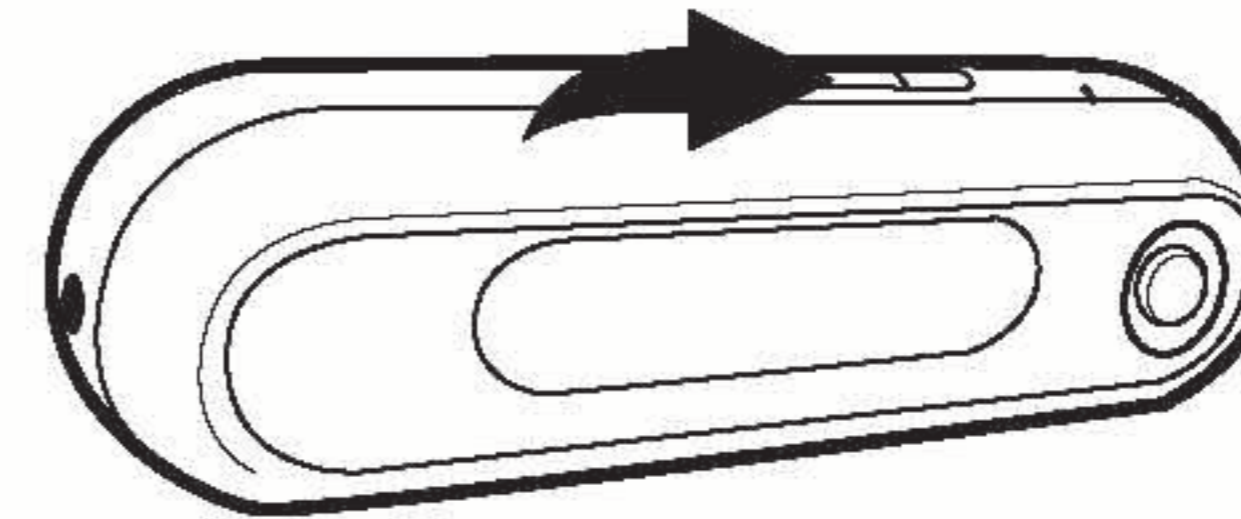
Turn the unit on by pressing the Play/Pause (▶||)/Auto button for about one second; the Memorex start screen will appear in the display temporarily. Tune a station as described on pages 16 and 17.

2



Press and hold the ●/EQ/Repeat/Mono button to start recording; the recorded time and the available remaining recording time will appear and start counting in the display.

3



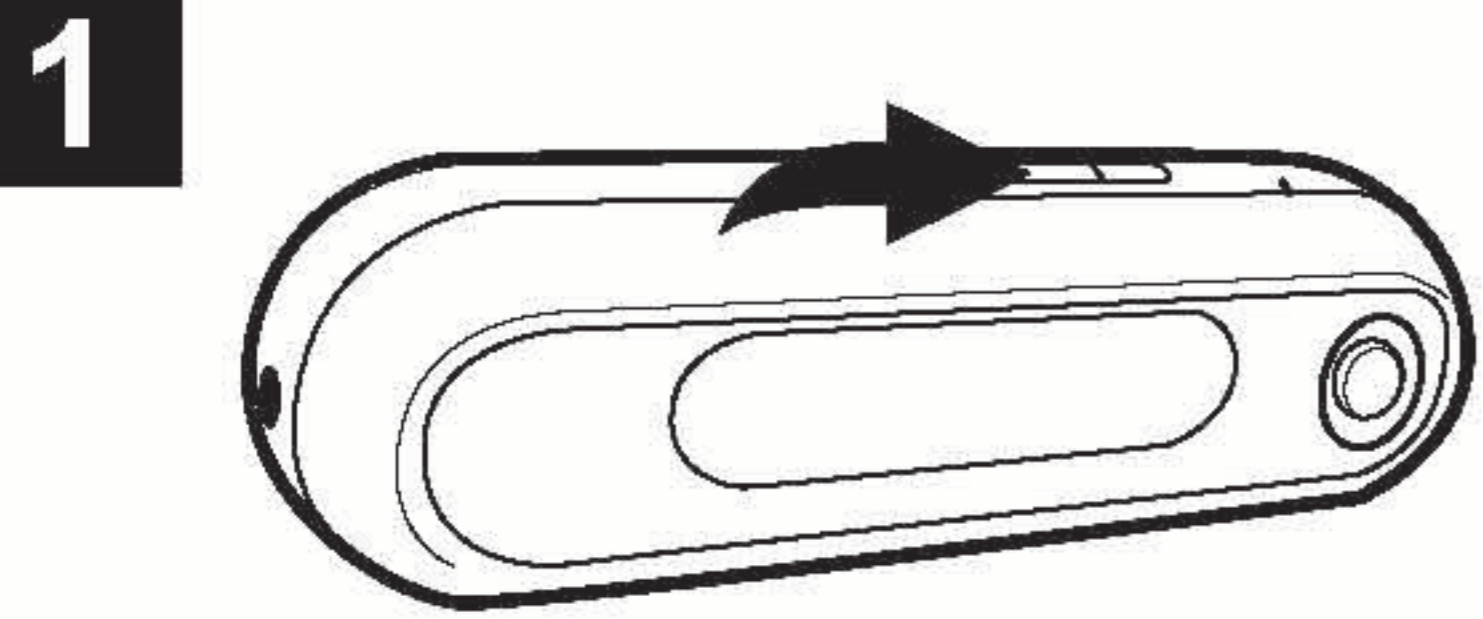
Press the Stop (■)/Preset/FM button to stop recording. The file is then ready to be added to the playlist, see page 28.

NOTES:

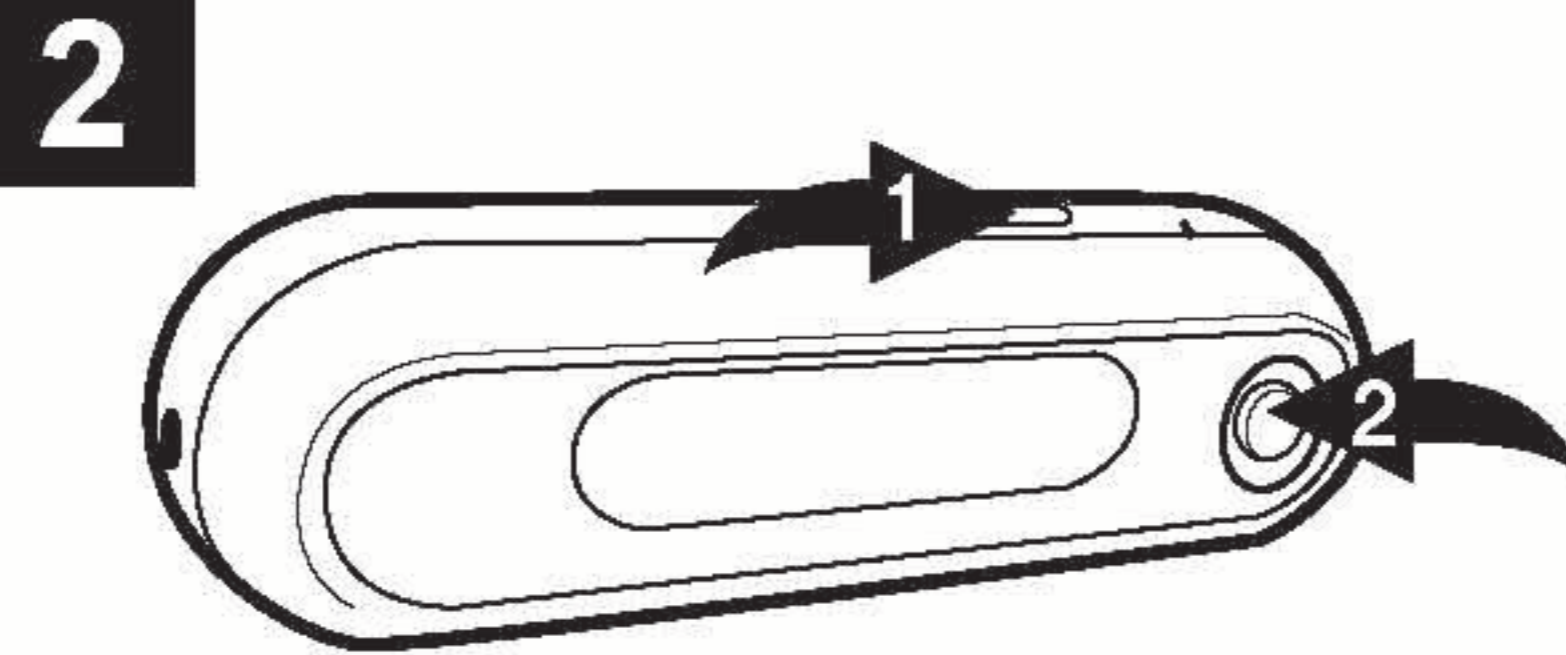
- The recorded file will be saved as a WAV file.
- The recording is not affected by the Volume setting as the volume is set automatically.

OPERATION (CONTINUED)

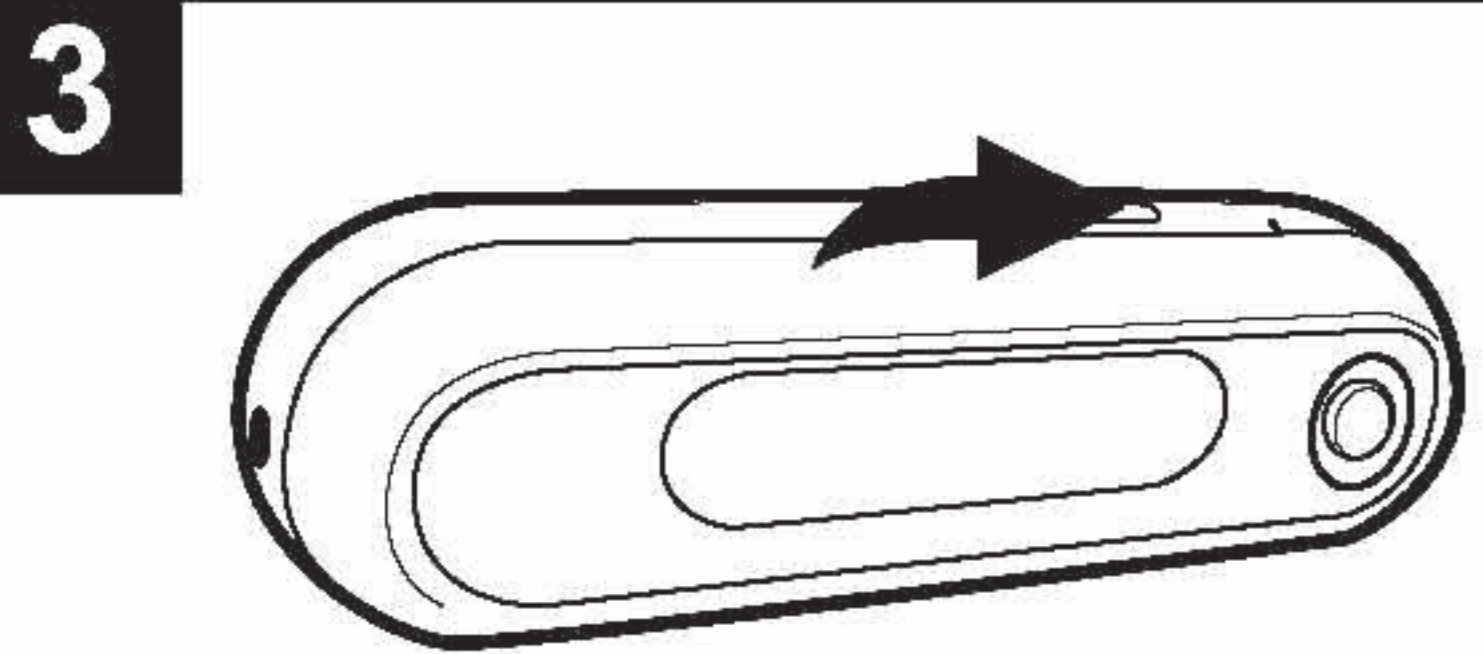
TO MANUALLY SET A STATION INTO MEMORY



While in the FM Radio mode, make sure the PRESET indicator is not in the display. If it is, press the Stop (■)/Preset/FM button to clear it. Tune a station as described on pages 16 and 17.



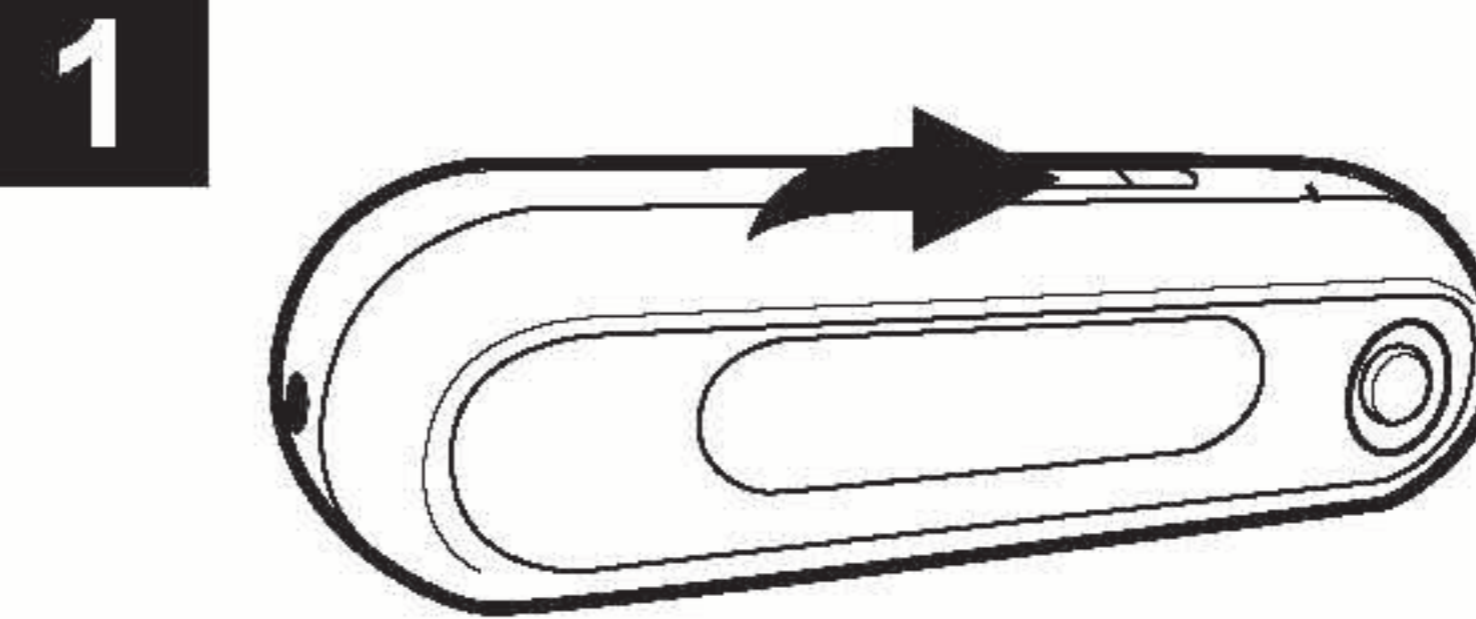
Press the Play/Pause (▶||)/Auto button ①; "STORE" will appear. Select a preset number ("C01" to "C10") by pushing the Navigation control ② towards ◀◀ or ▶▶.



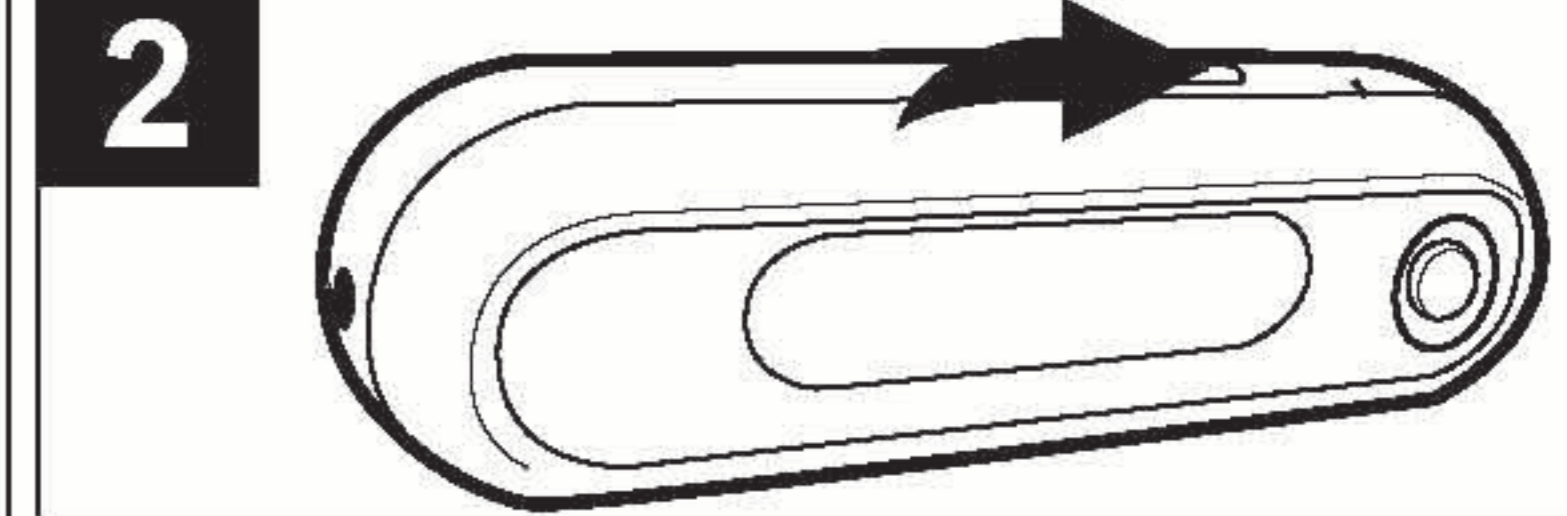
When the desired memory number appears, press the Play/Pause (▶||)/Auto button to store the preset; "STORE" will disappear from the display and the station will be set into memory.

OPERATION (CONTINUED)

TO AUTOMATICALLY SET STATIONS INTO MEMORY

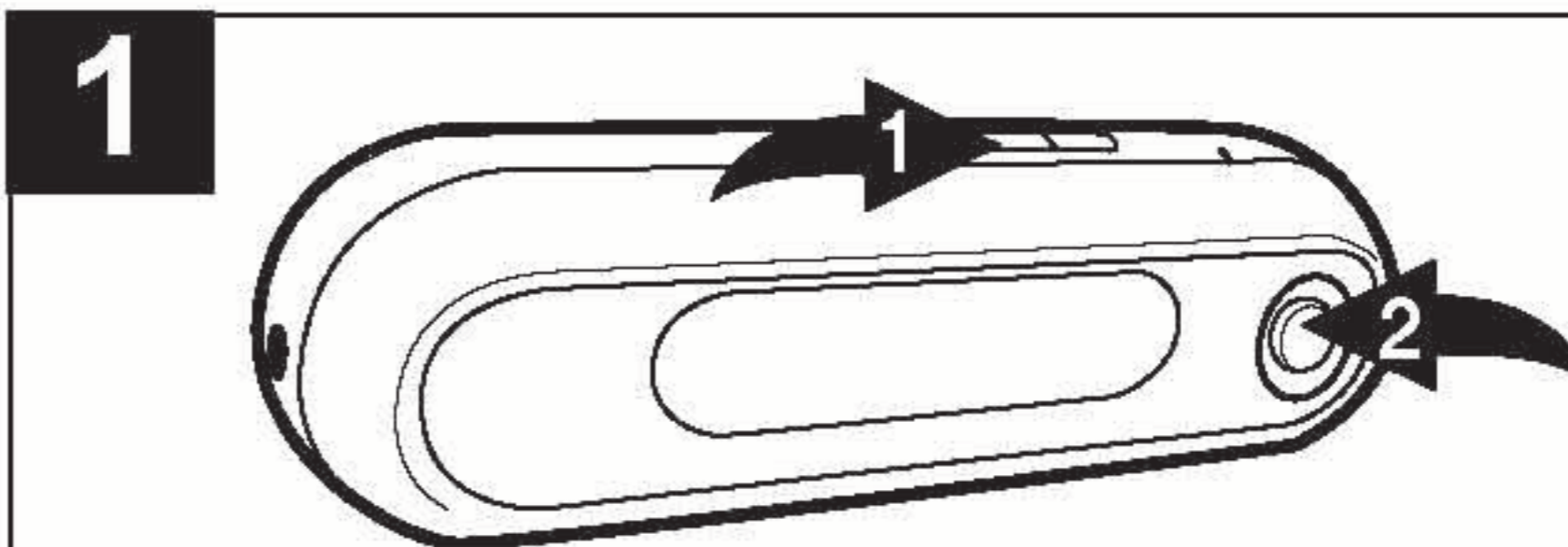


While in the FM radio mode, make sure the PRESET indicator is not in the display. If it is, press the Stop (■)/Preset/FM button to clear it.



Press and hold the Play/Pause (▶||)/Auto button until "AUTO SCAN" appears in the display. The unit will automatically store the next ten strong stations into memory. New FM Stations will overwrite previous presets. **NOTE:** If less than ten stations have been scanned into the memory, the empty Presets will be kept at a frequency of 87.5MHz.

TO RECEIVE MEMORY PRESETS

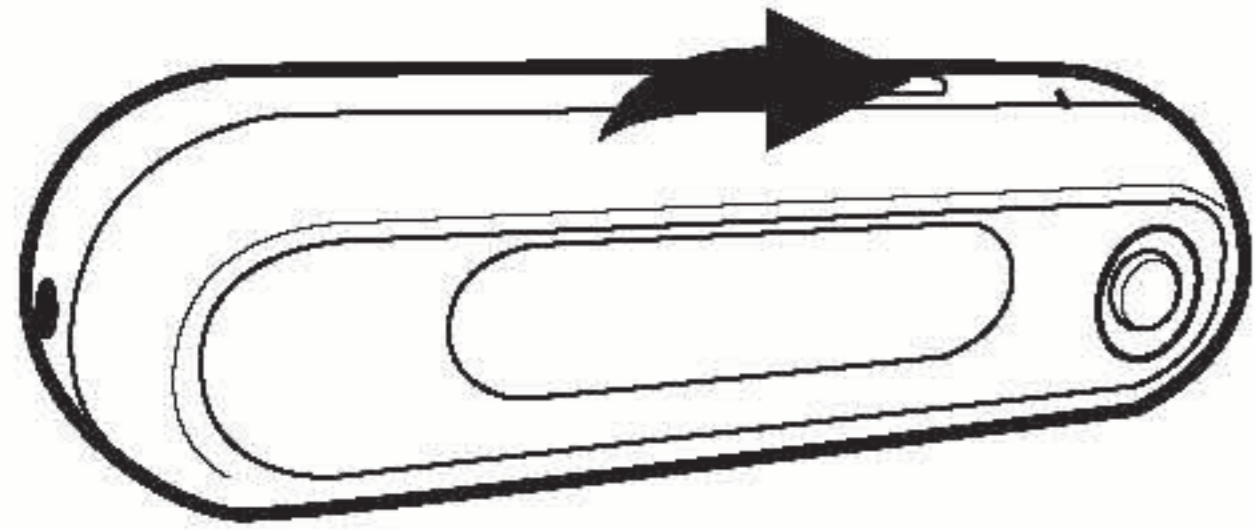


Press the Stop (■)/Preset/FM button ①; "PRESET" will appear in the display. Select a preset by pushing the Navigation control ② towards ◀◀ or ▶▶. Press the Stop (■)/Preset/FM button ① to exit the preset mode; the "PRESET" indicator will disappear from the display.

OPERATION (CONTINUED)

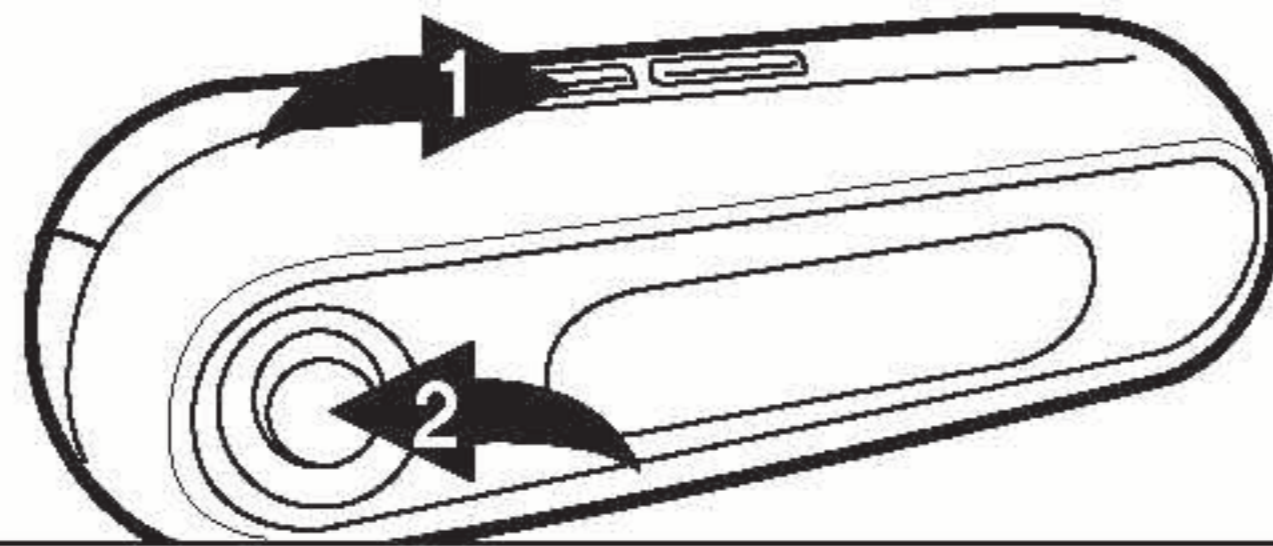
TO LISTEN TO MP3s/WMA/WAVs

1



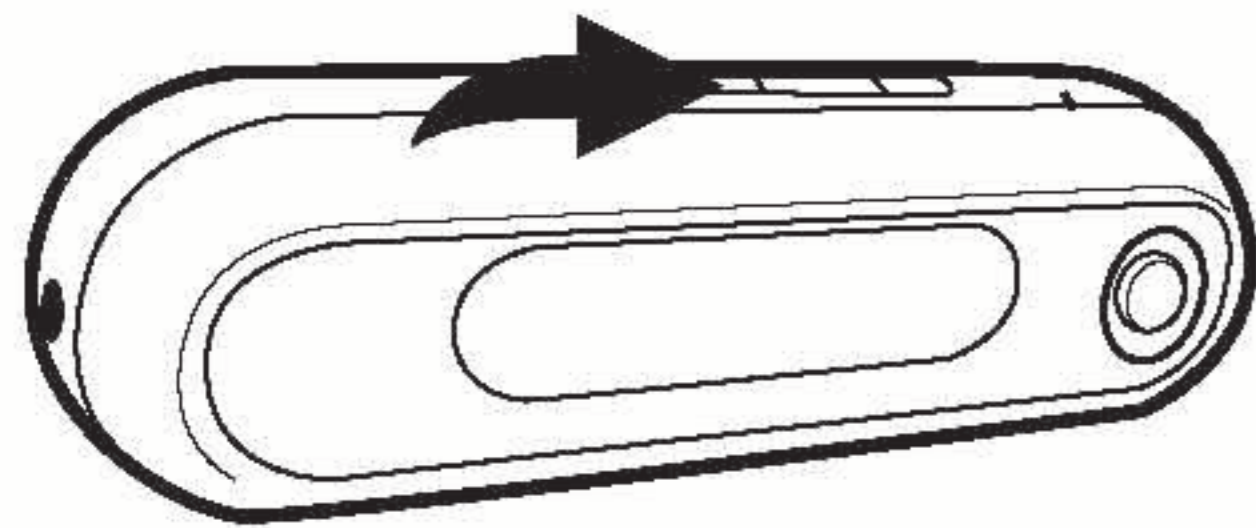
Turn the unit on by pressing the Play/Pause (▶||)/Auto button for about one second; the Memorex start screen will appear in the display temporarily. Press the Play/Pause (▶||)/Auto button to start the playback. The Mp3 information will scroll across the display and the song number and timer will appear at the top of the display.

2



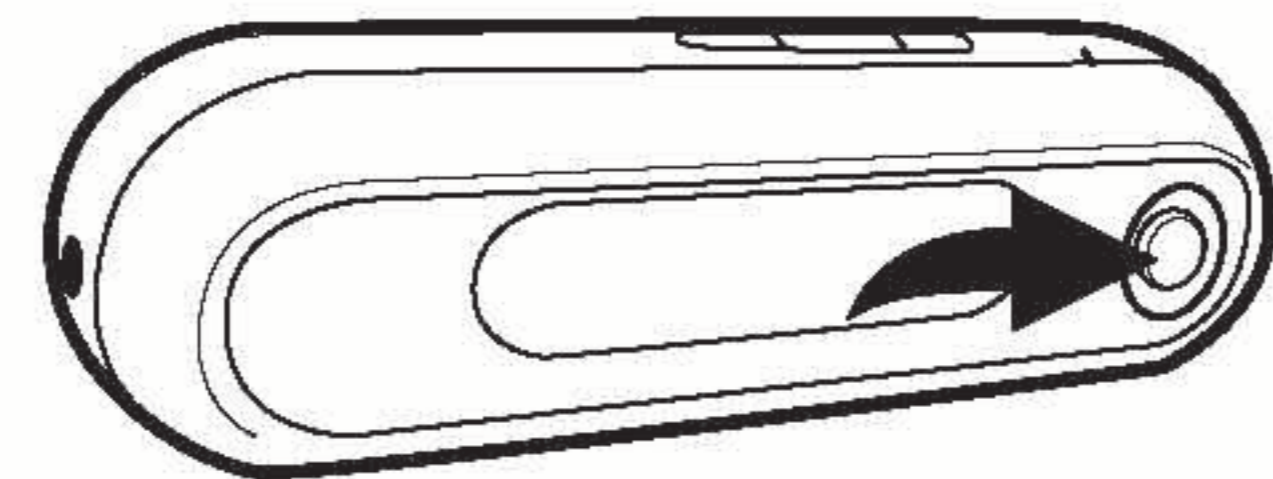
If the unit is in a mode other than the Music Player, press the MODE button ①; the Main menu will appear in the display. Within six seconds, push the Navigation control ② towards ◀◀ or ▶▶ until MUSIC PLAYER is selected, then press the Navigation control ② to select it. Playback will start automatically.

3



Press and hold the ●/EQ/Repeat/Mono button until the EQ display text has a clear background. Then, repeatedly press the ●/EQ/Repeat/Mono button to select the desired EQ setting: NORM (Normal), ROCK, UBASS (Ultra Bass), JAZZ, CLAS (Classical), POP. Wait two seconds and the unit will exit EQ setting mode.

4

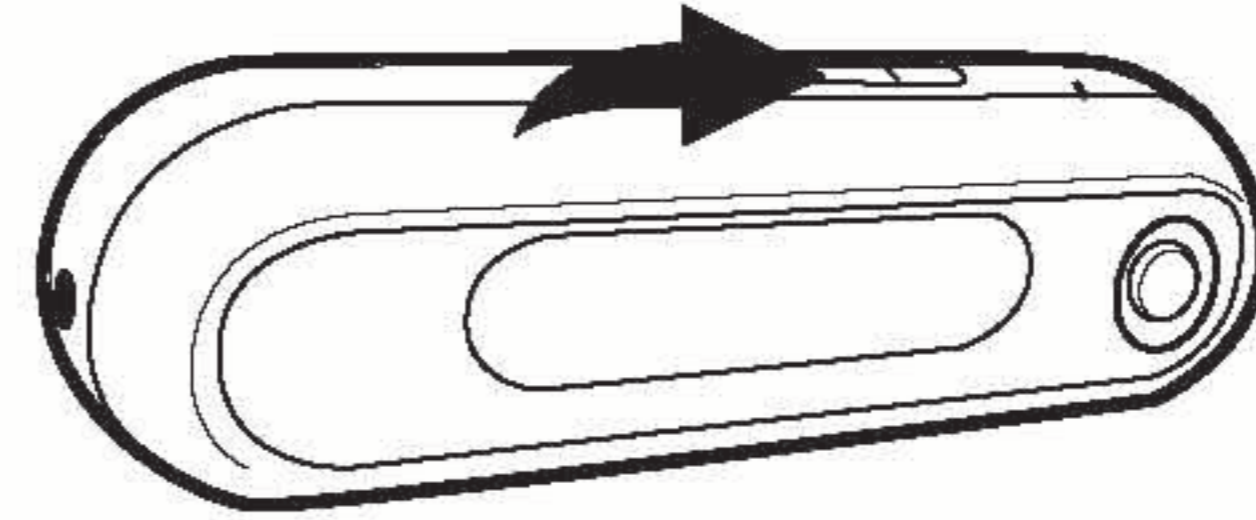


Push the Navigation control towards + to increase the volume or towards - to decrease the volume.

CONTINUED ON THE NEXT PAGE

OPERATION (CONTINUED)

5



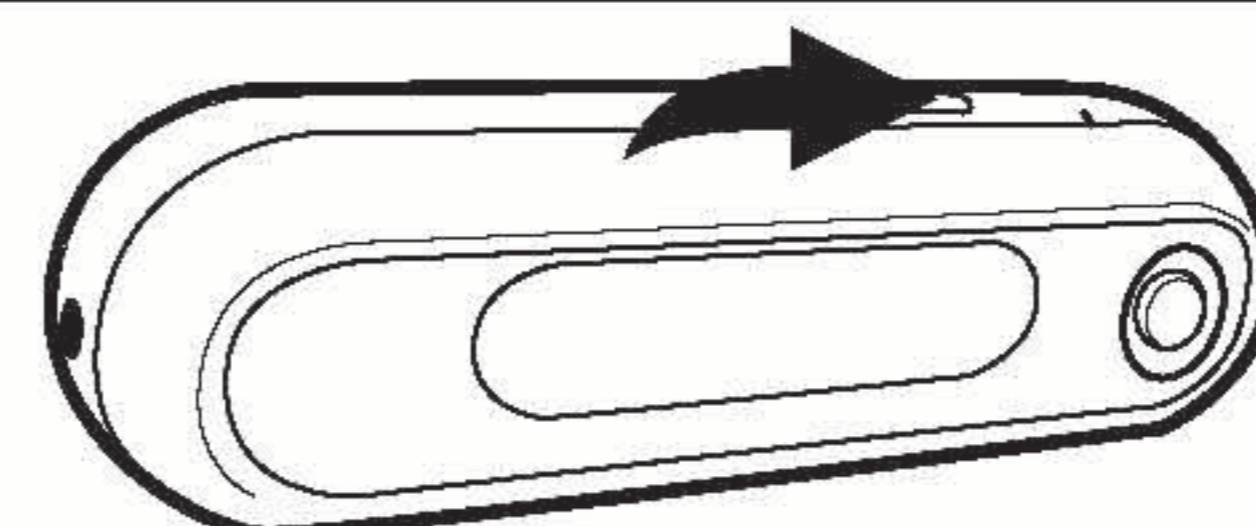
Press the Stop (■)/Preset/FM button to stop playback.

NOTE:

- See pages 7 through 14 for information on uploading MP3, WMA and WAV files to this unit

TO PAUSE PLAYBACK

1



During playback, if you wish to pause the file momentarily, press the Play/Pause (▶||)/Auto button; playback will pause and the timer will stop counting.

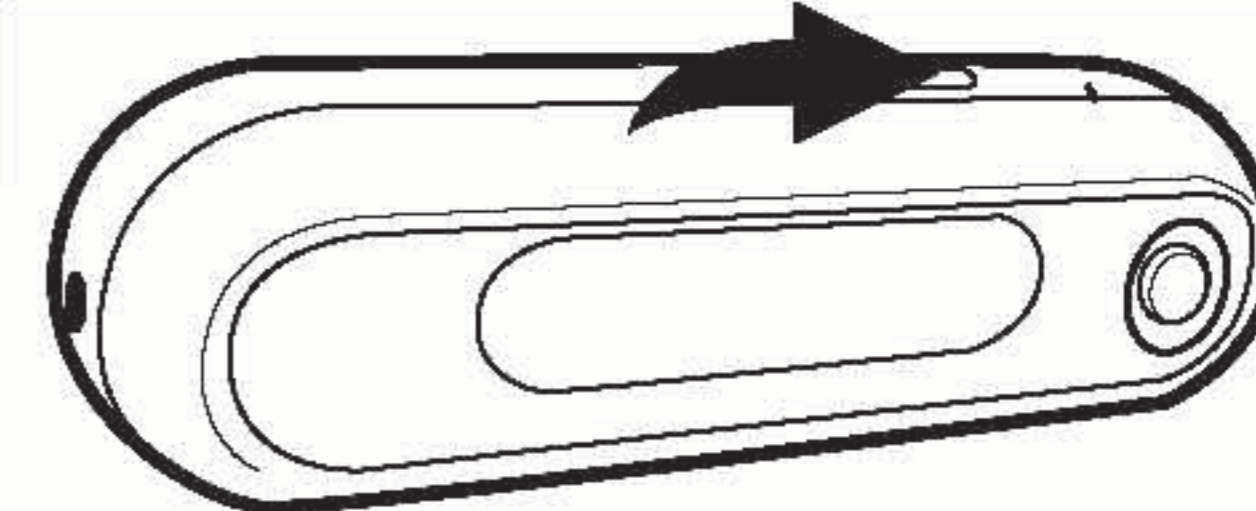
RESUME

1

Each time you exit the Music Player mode or turn the unit off, when the unit is turned back on or you enter the Music player again, this unit will resume the beginning of last track which you were listening before Power Off or changing mode. To cancel the resume, press the Stop (■)/Preset/FM button once while in Music Player Stop mode, it will return to show the first file's information of the player.

NOTE: When in the Random or Random Repeat mode, the unit will not show the first file's information when you press the Stop (■)/Preset/FM button in the Stop mode. In the Playlist or Playlist Repeat mode, it will just return to the first selected file of the playlist.

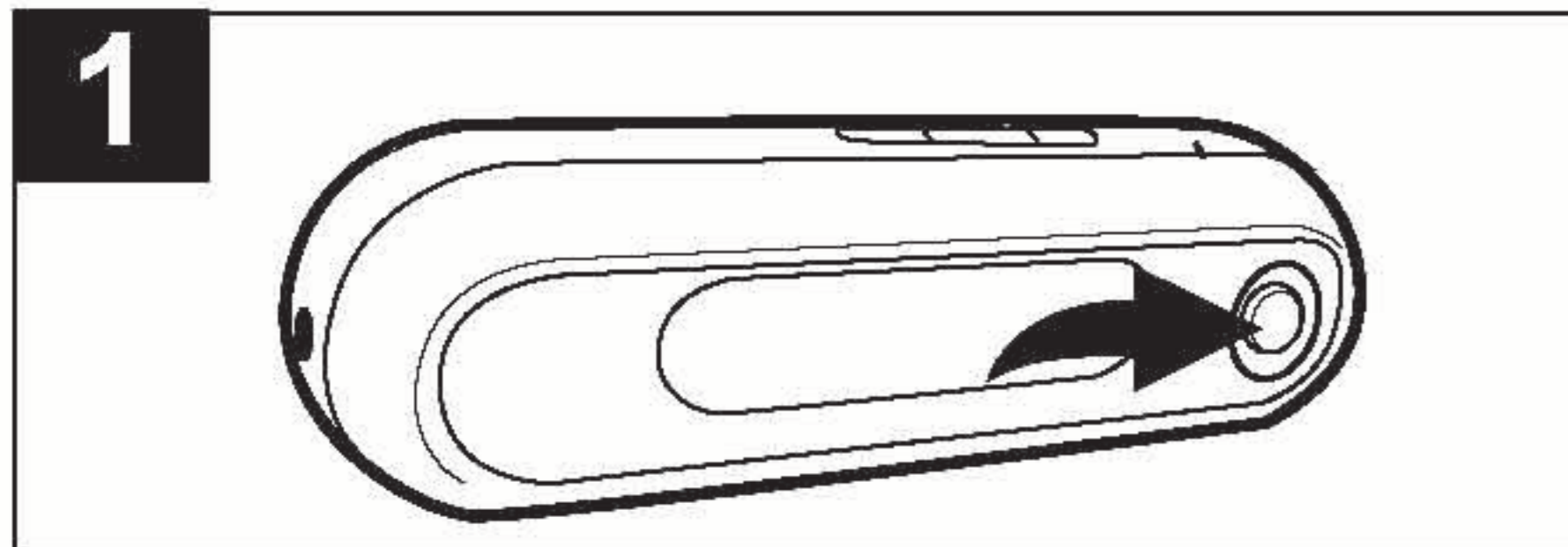
2



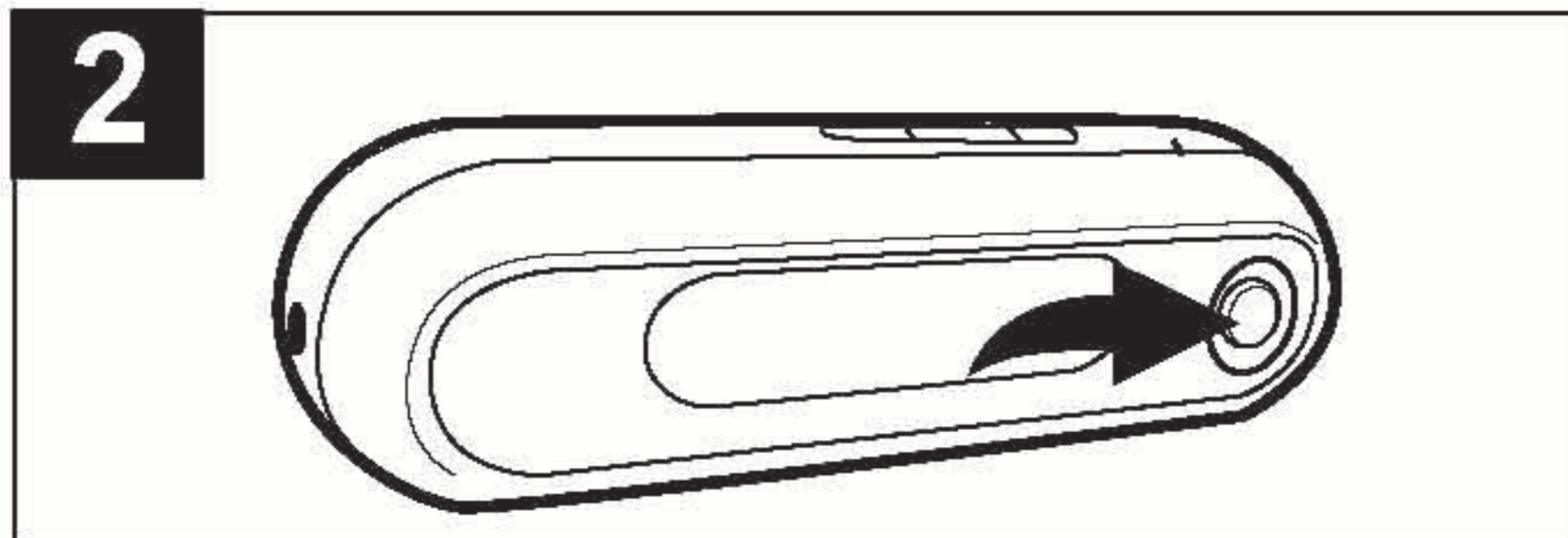
Press the Play/Pause (▶||)/Auto button again to resume playback; the sound will return and the timer will start counting again.

OPERATION (CONTINUED)

FORWARD/REVERSE SKIP

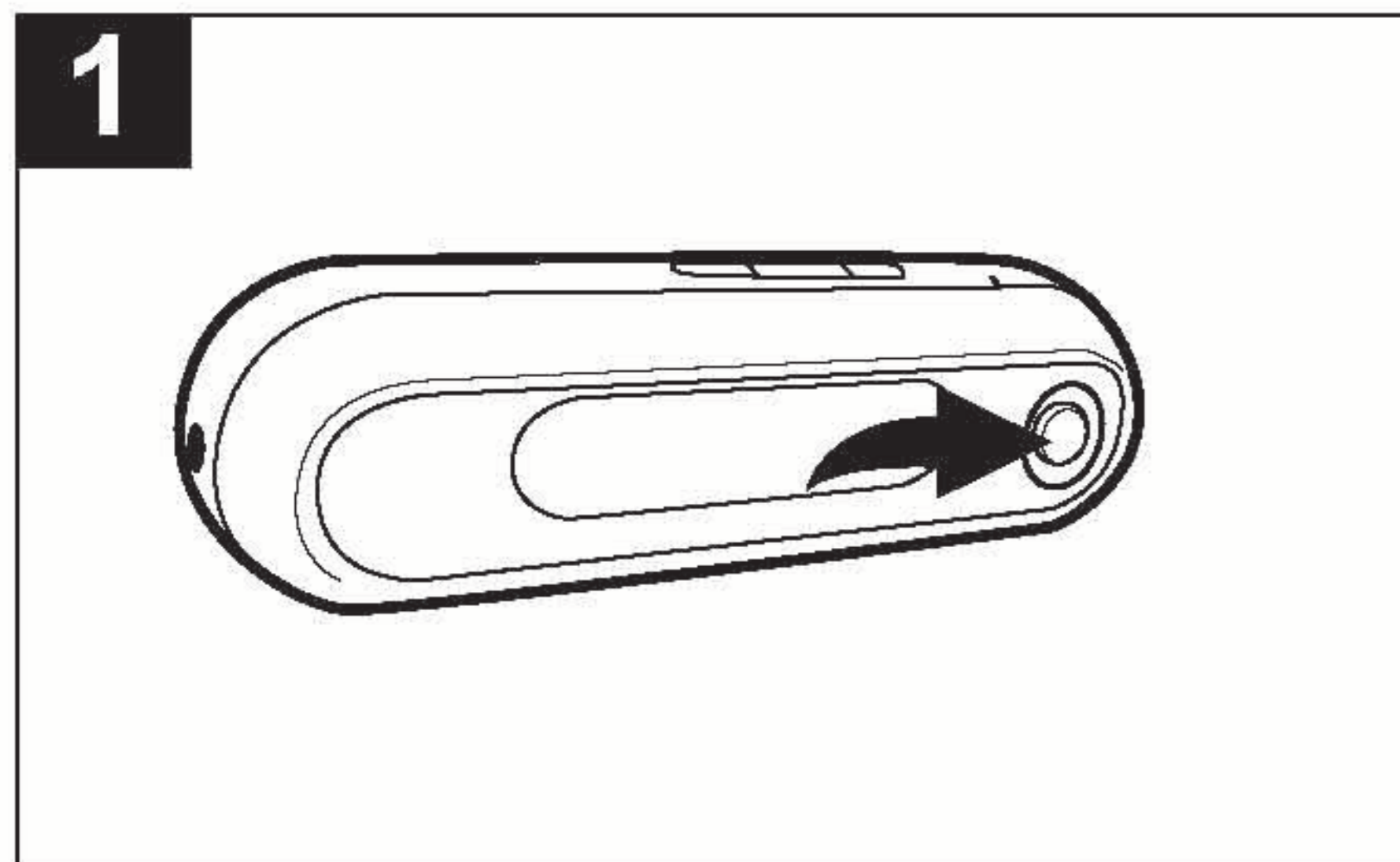


During playback, push the Navigation control towards ►► to advance the player to the beginning of the next file. Push the Navigation control towards ►► repeatedly to advance the player to higher-numbered files.



During playback, push the Navigation control towards ◀◀ to move the player back to the beginning of the currently playing file. Push the Navigation control towards ◀◀ repeatedly to move the player back to lower numbered files.

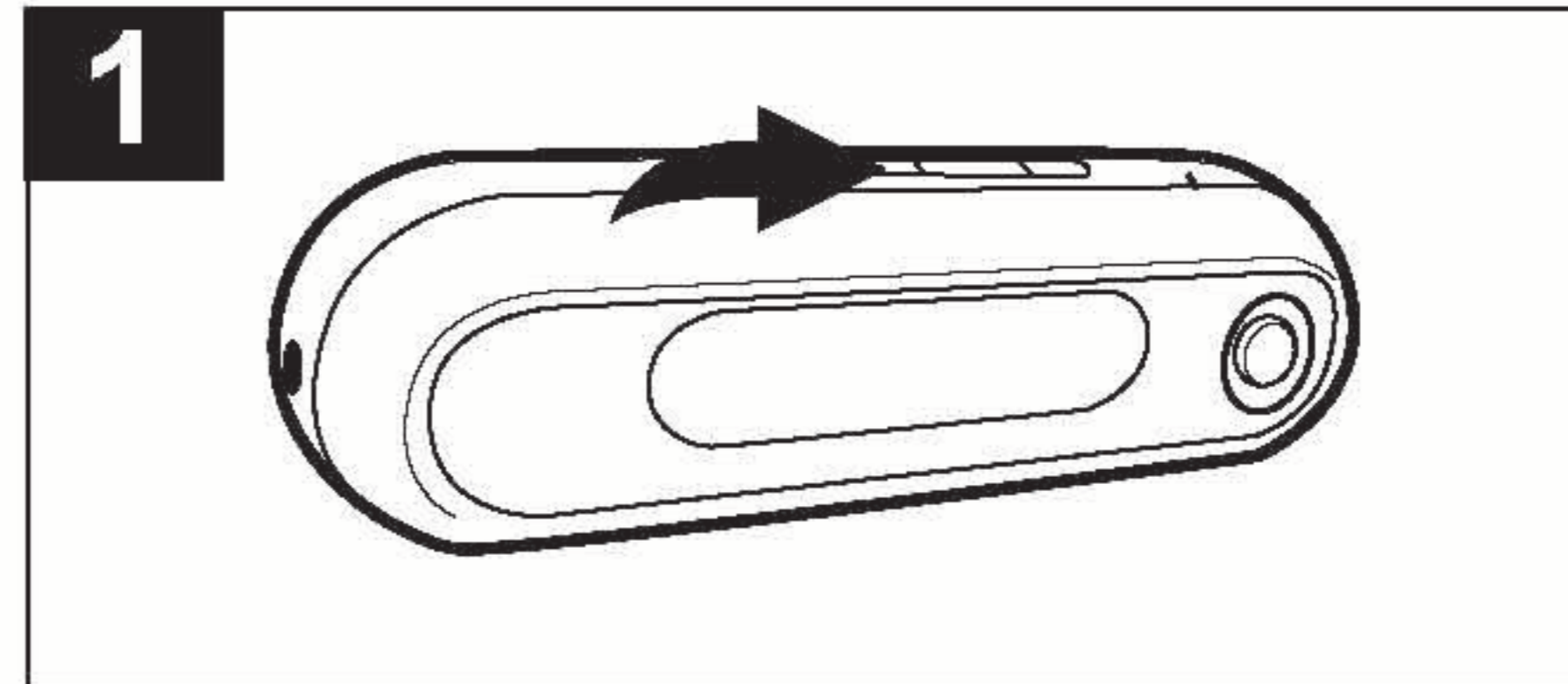
HIGH-SPEED MUSIC SEARCH



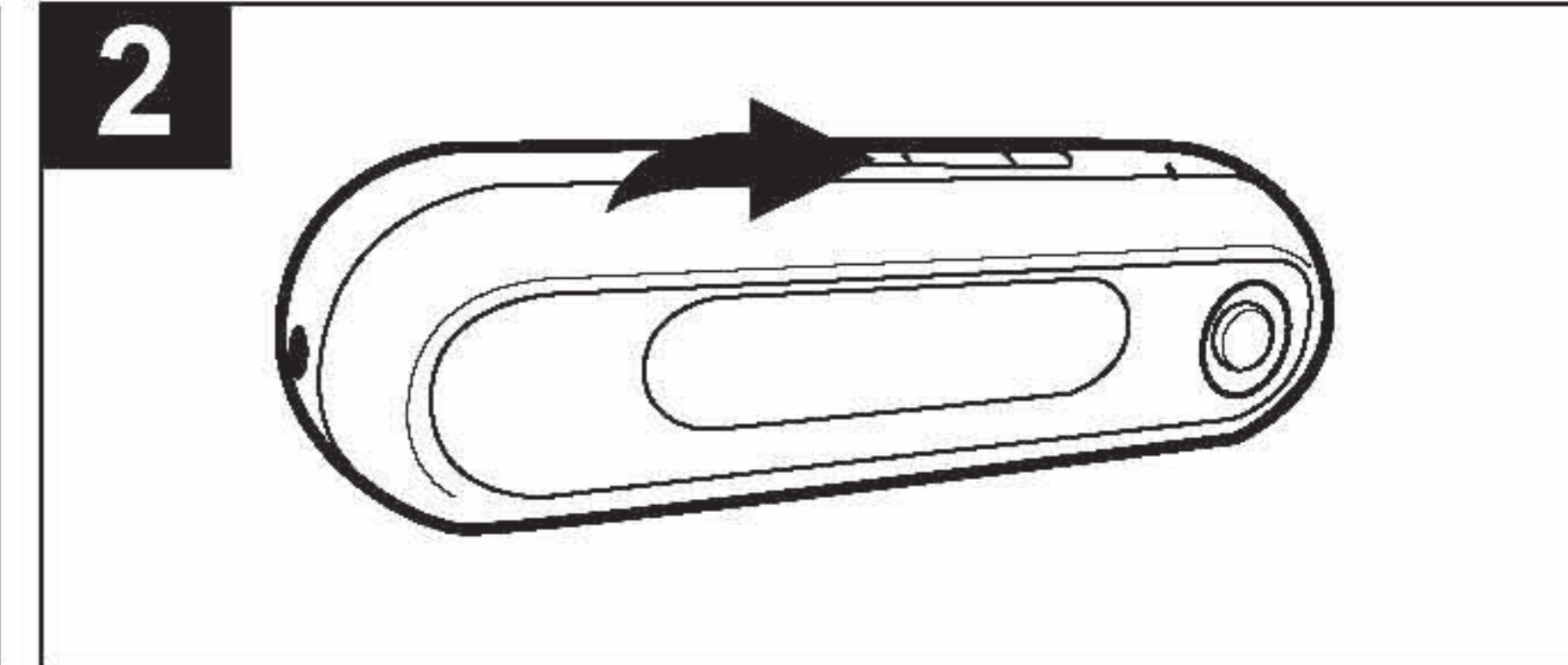
During playback, push and hold the Navigation control towards ◀◀ or ►► to move the player forward or backward within a file to locate a specific musical passage. The player will move forward or backward at high speed as long as the Function switch is held. When you release the Navigation, normal playback will resume.

OPERATION (CONTINUED)

TO RANDOMLY PLAY ALL THE FILES AND THEN STOP

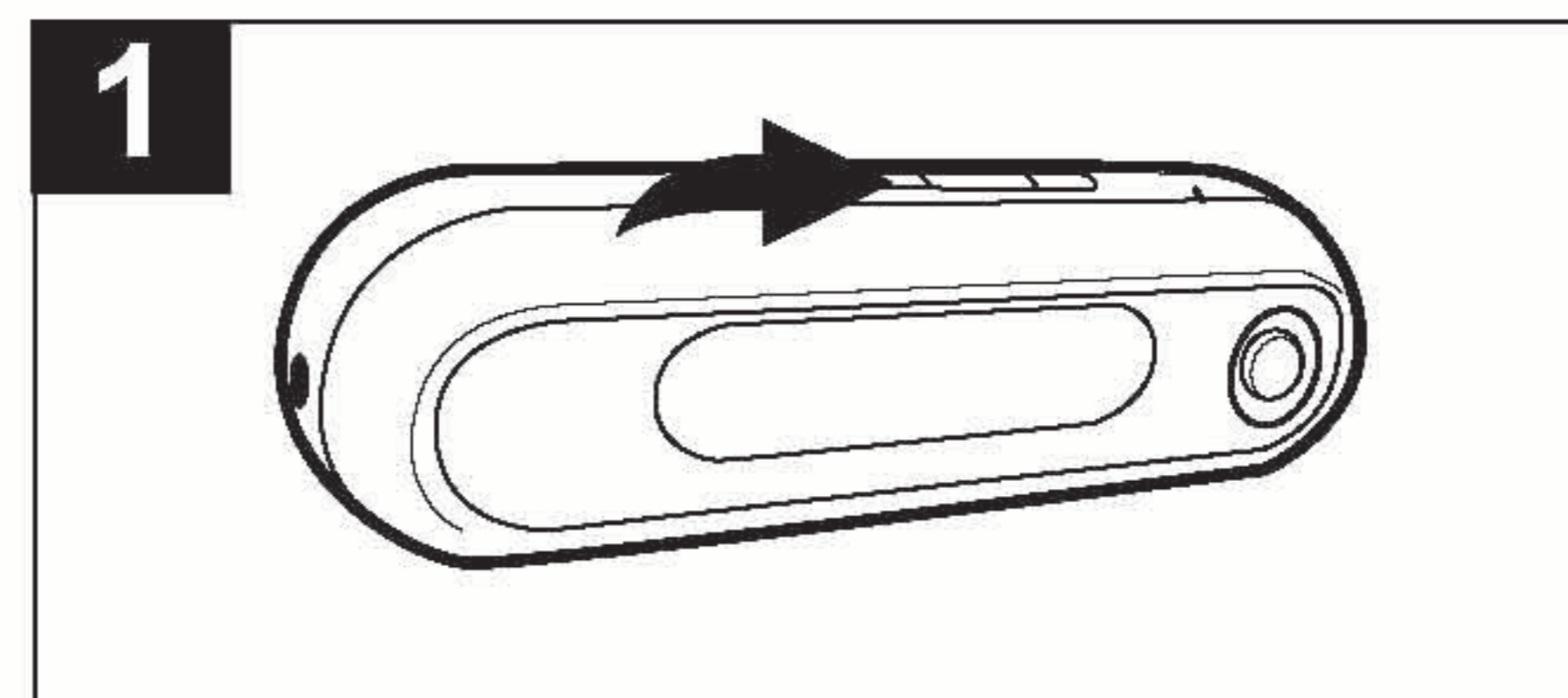


To randomly play all the files and then stop, press the ●/EQ/Repeat/Mono button once while playing a file; "SHF" will appear in the display.

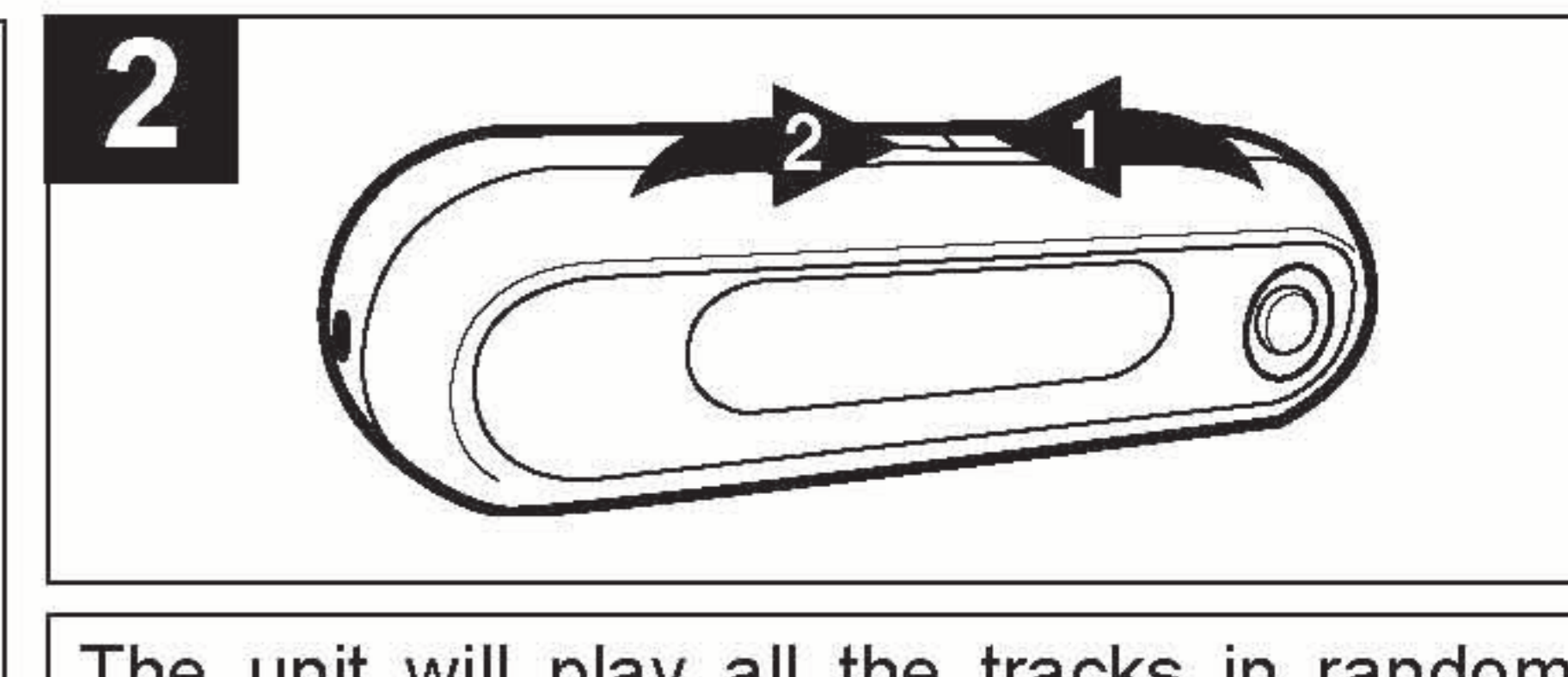


The unit will play all the tracks in random order. When all the tracks have been played, the unit will stop. To cancel Random playback, press the ●/EQ/Repeat/Mono button until the Mode indicator reads "NORM".

TO RANDOMLY PLAY ALL THE FILES CONTINUOUSLY



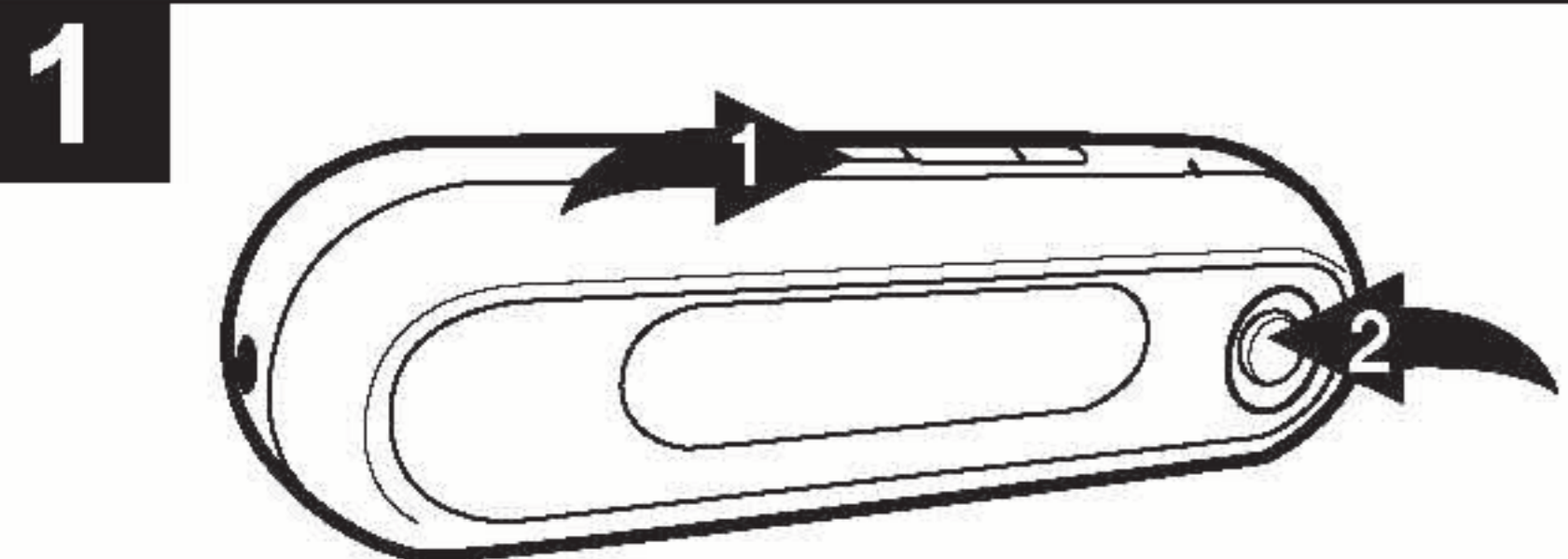
To randomly play all the files continuously, press the ●/EQ/Repeat/Mono button twice while playing a file; "SHF" and the Repeat indicator will appear in the display.



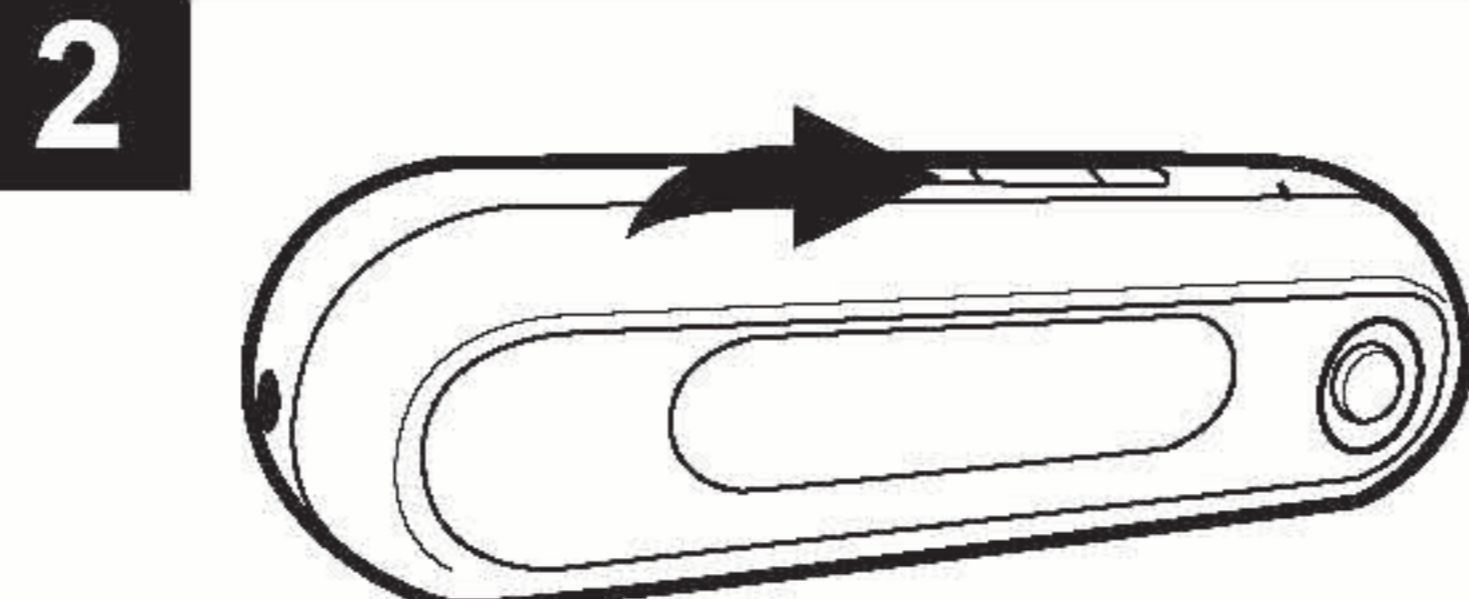
The unit will play all the tracks in random order until the Stop (■)/Preset/FM button ❶ is pressed (to stop playback). To cancel Random playback, press the ●/EQ/Repeat/Mono button ❷ until the Mode indicator reads "NORM".

OPERATION (CONTINUED)

REPEAT PLAYBACK OF A FILE

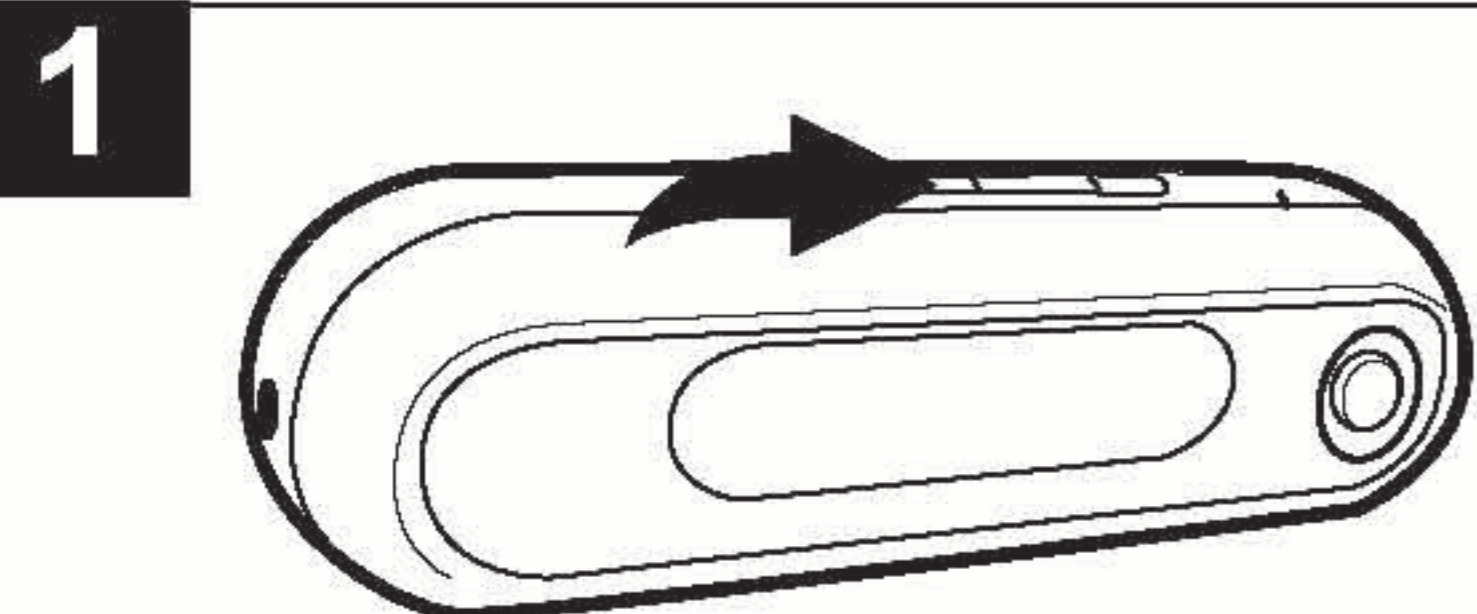


To repeat a single file, press the ●/EQ/Repeat/Mono button ❶ three times while playing a file; the Repeat 1 indicator will appear in the display. Push the Navigation control ❷ towards ⏮ or ⏭ to select the specific track that you wish to repeat.

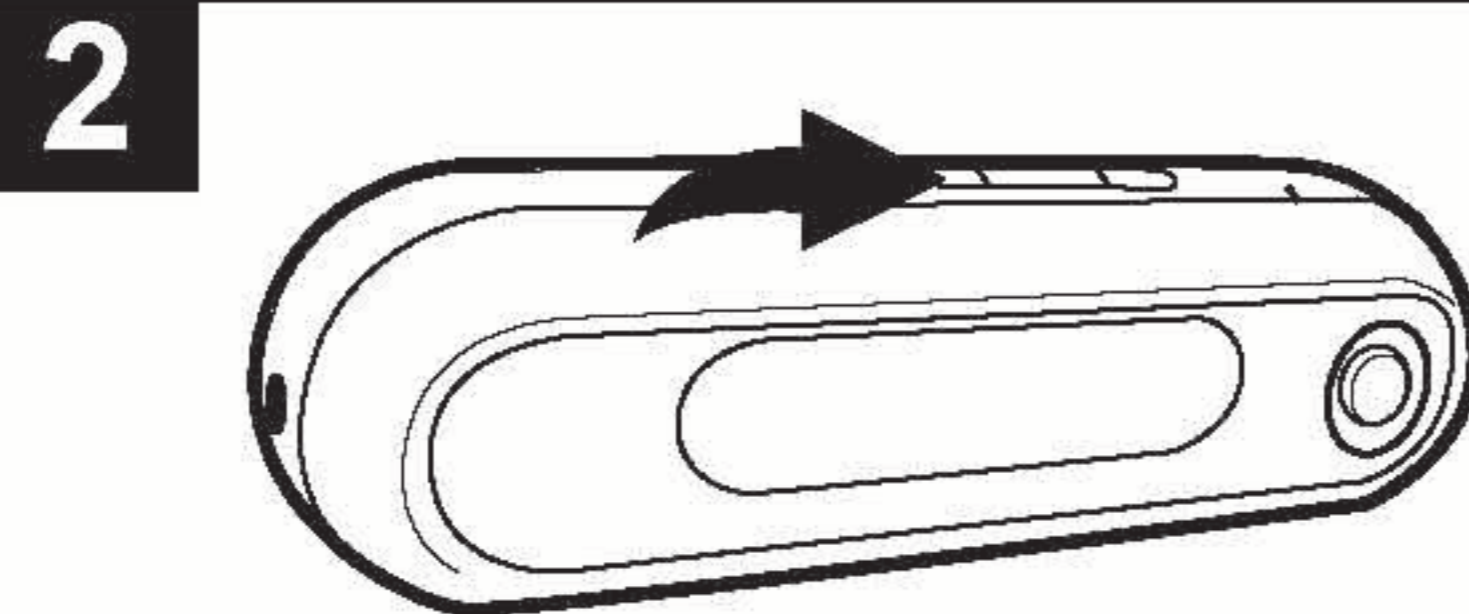


The specific track you selected will be repeated continuously. To cancel Repeat playback, press the ●/EQ/Repeat/Mono button until the Mode indicator reads "NORM".

REPEAT PLAYBACK OF ALL FILES



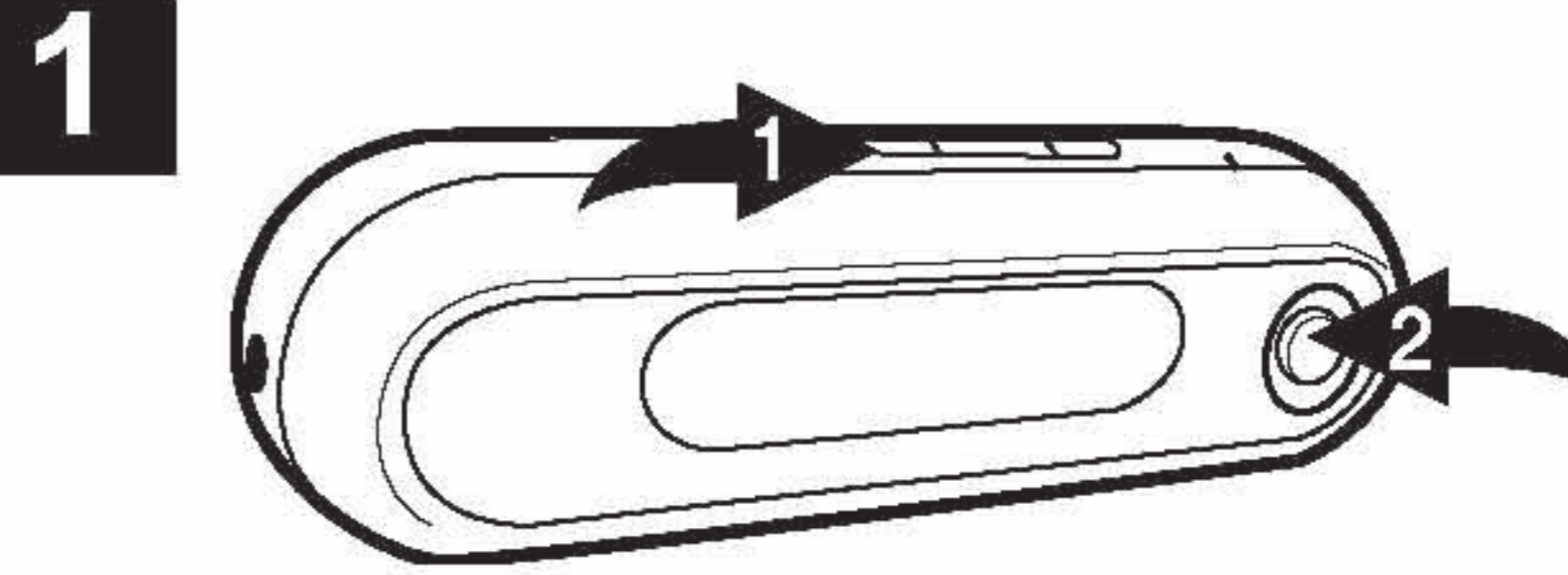
To repeat all files, press the ●/EQ/Repeat/Mono button four times while playing a file; the Repeat ALL indicator will appear in the display.



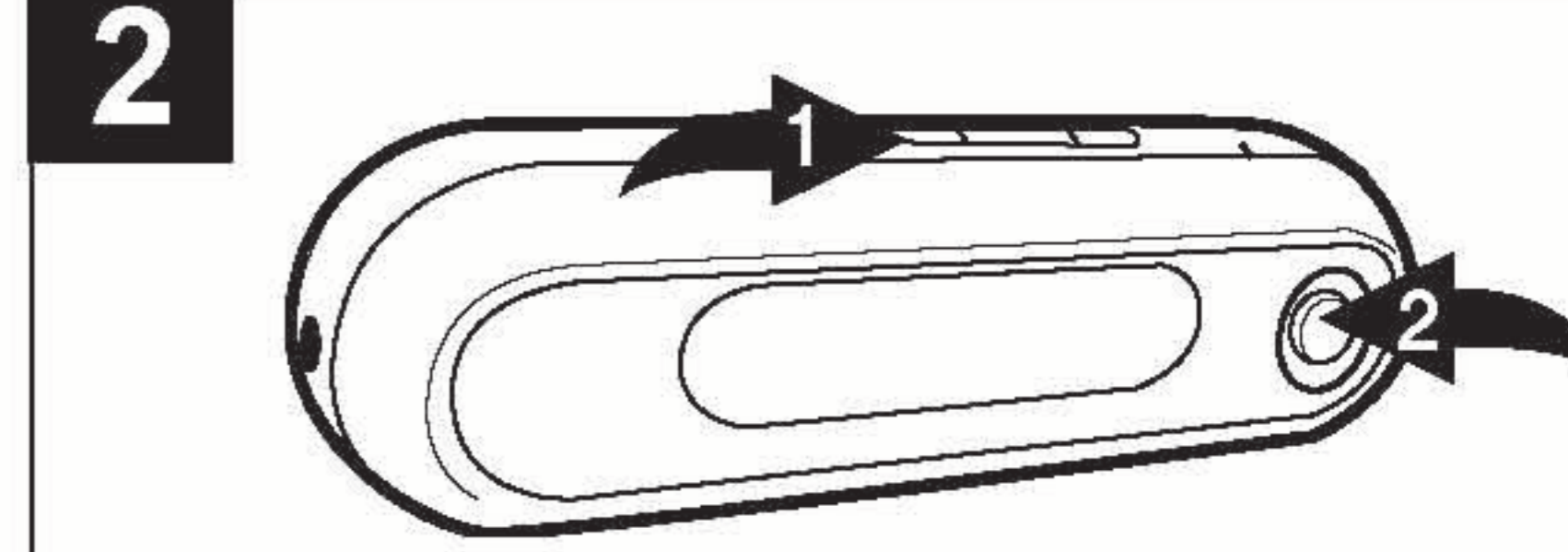
All tracks on the player will be repeated continuously. To cancel Repeat playback, press the ●/EQ/Repeat/Mono button until the Mode indicator reads "NORM".

OPERATION (CONTINUED)

A-B REPEAT

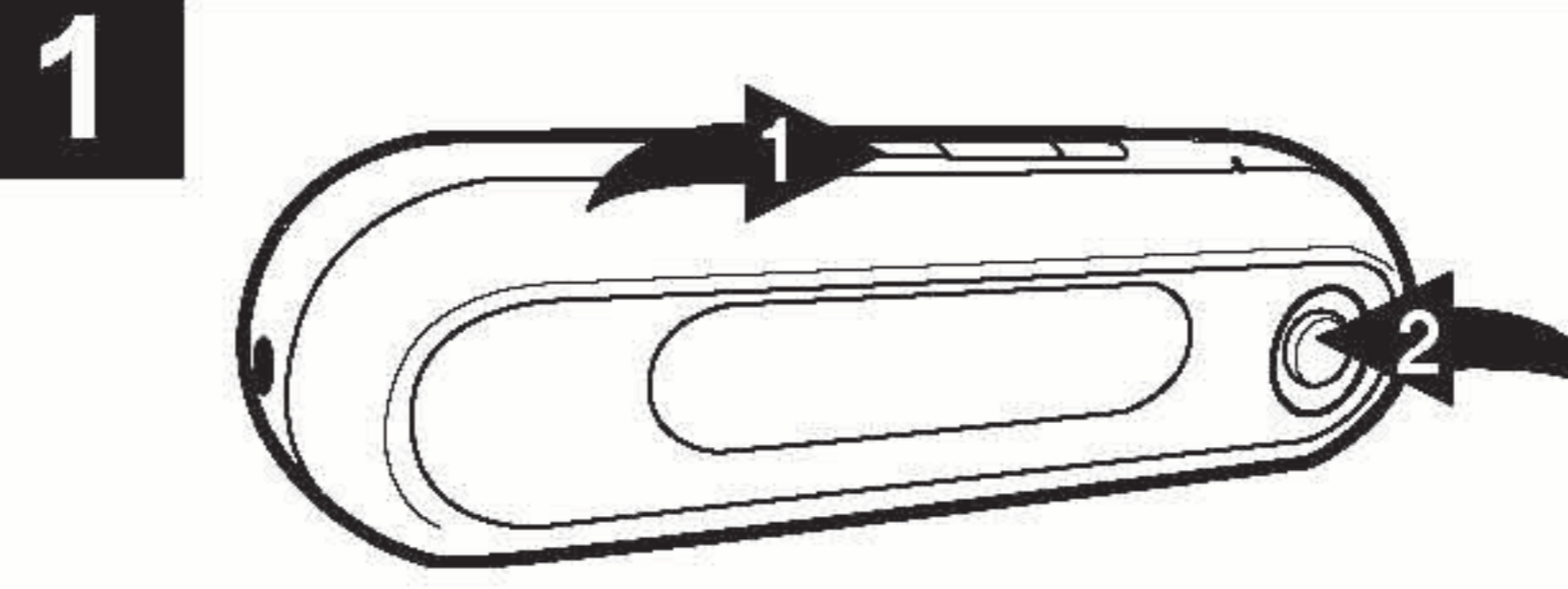


To repeat a section of a song, press the ●/EQ/Repeat/Mono button ❶ five times while playing a file; "→" will appear in the display. Press the Navigation control ❷ to set point A. Press the Navigation control ❷ again to set point B.

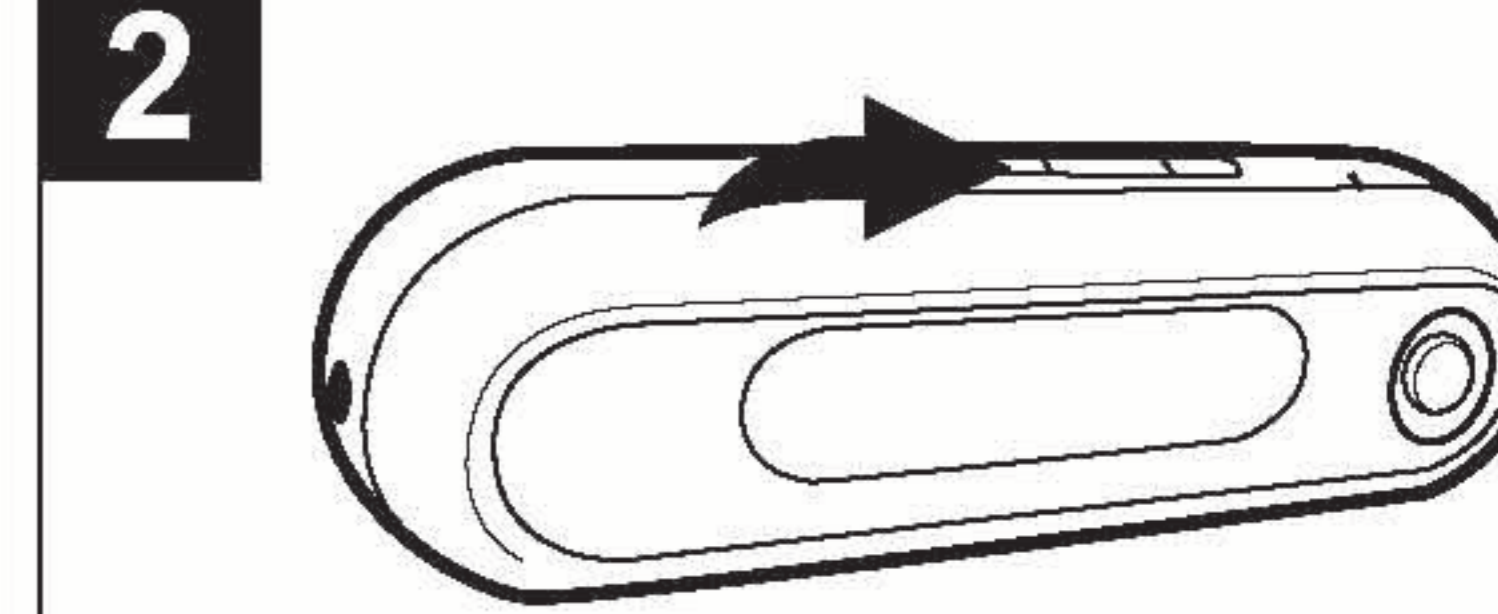


The specific segment you selected will be repeated continuously. To cancel Repeat playback, press the ●/EQ/Repeat/Mono button ❶ until the Mode indicator reads "NORM" or press the Navigation control ❷ again.

PLAYING A PLAY LIST (A playlist must be programmed first, see page 28)



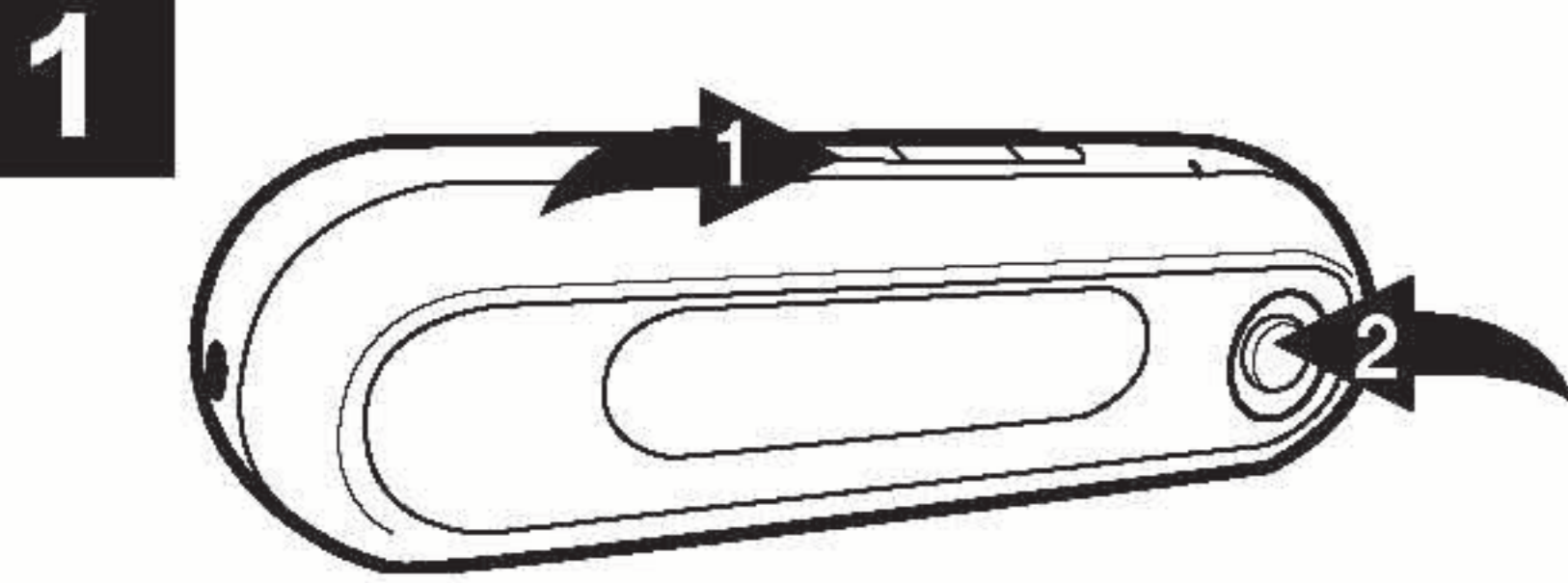
Press the ●/EQ/Repeat/Mono button ❶ six times while playing a file; the Playlist indicator will appear in the display. Push the Navigation control ❷ towards ⏭ to start playing the first track of the play list.



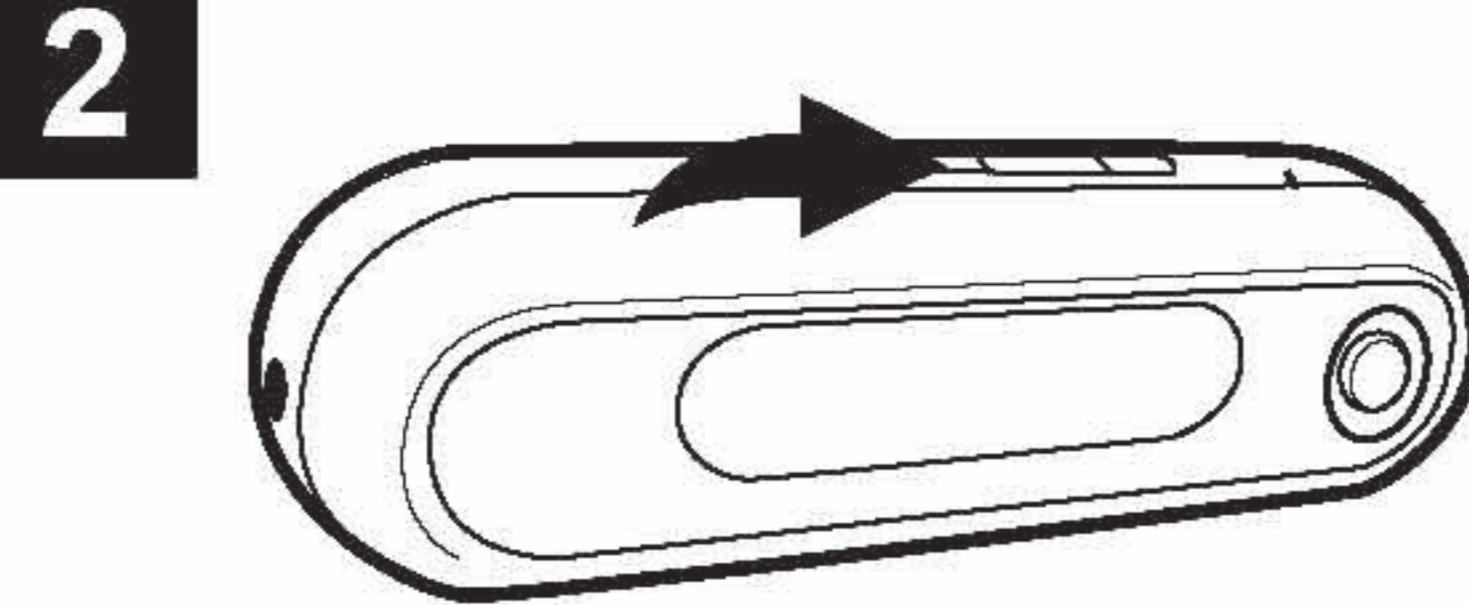
The unit will play the playlist once and then stop. To cancel Play list playback, press the ●/EQ/Repeat/Mono button until the Mode indicator reads "NORM".

OPERATION (CONTINUED)

REPEATING A PLAY LIST (A playlist must be programmed first, see page 28)



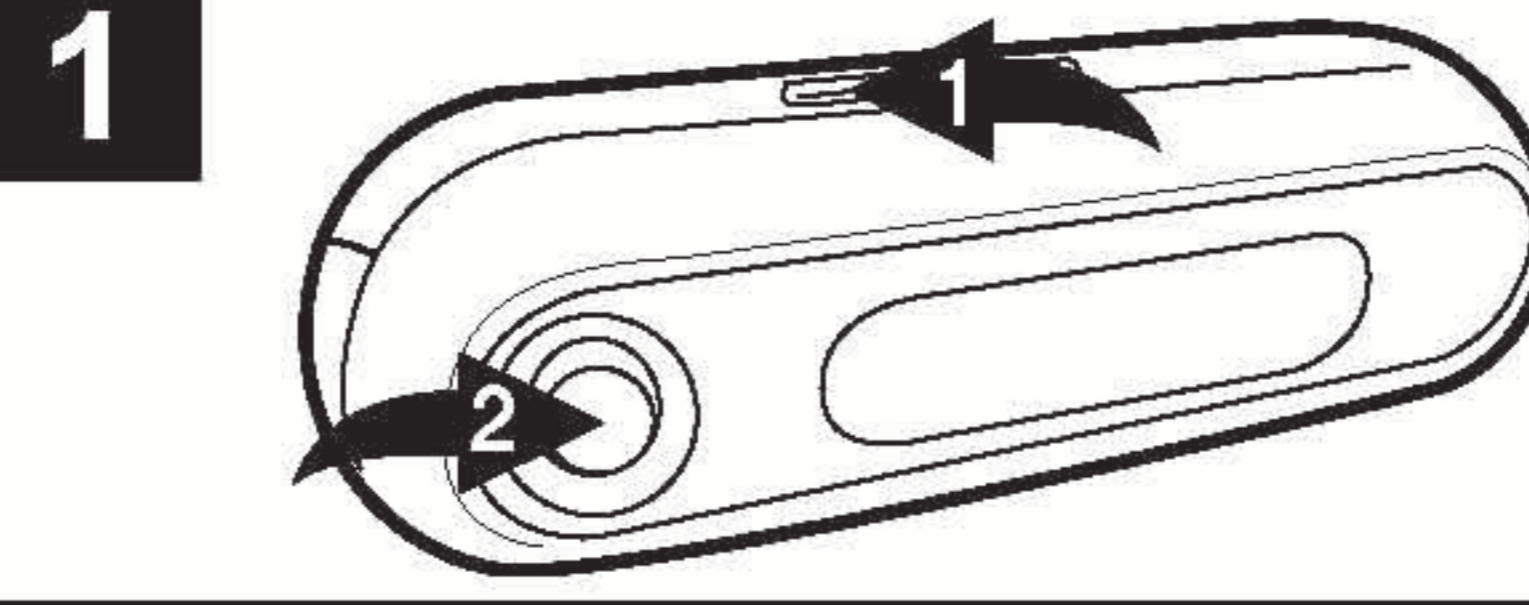
Press the ●/EQ/Repeat/Mono button ❶ seven times while playing a file; the Playlist and Repeat indicators will appear in the display. Push the Navigation control ❷ towards ►► to start playing the first track of the play list.



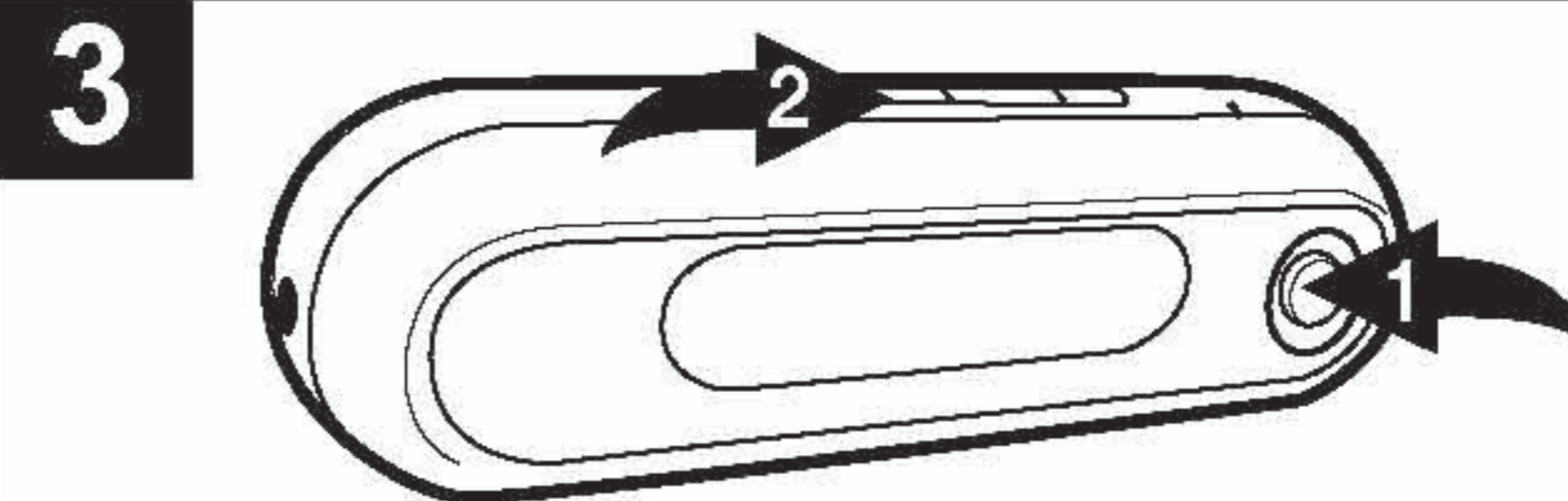
The unit will play the playlist repeatedly. To cancel Repeat playback, press the ●/EQ/Repeat/Mono button until the Mode indicator reads "NORM".

OPERATION (CONTINUED)

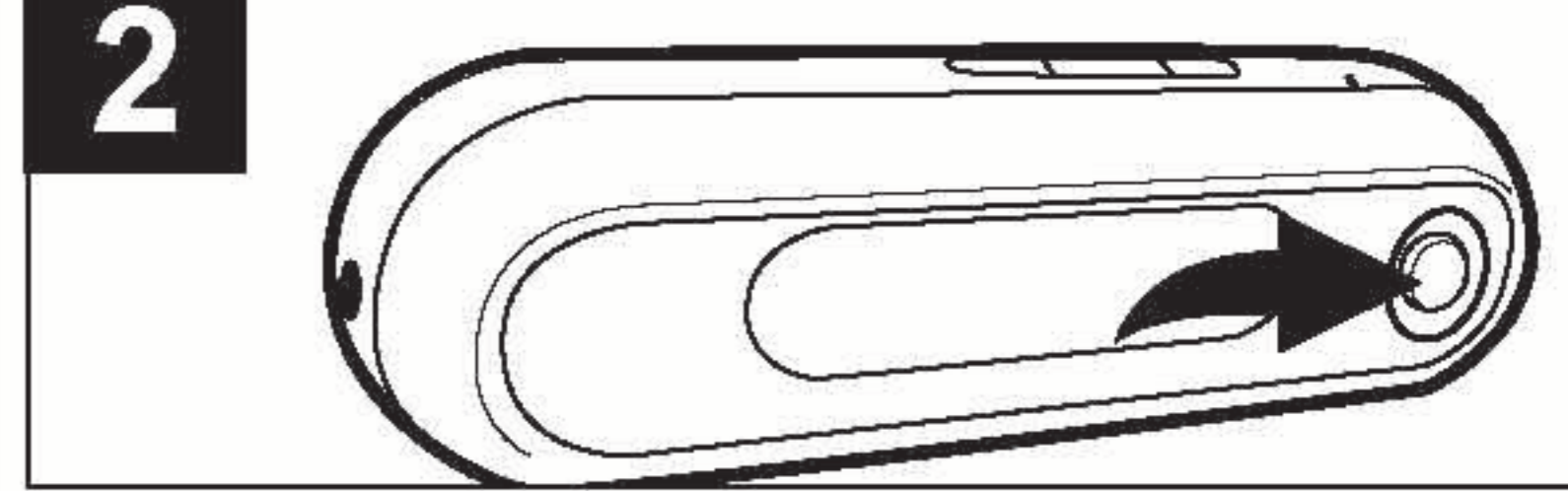
CREATING A PLAYLIST



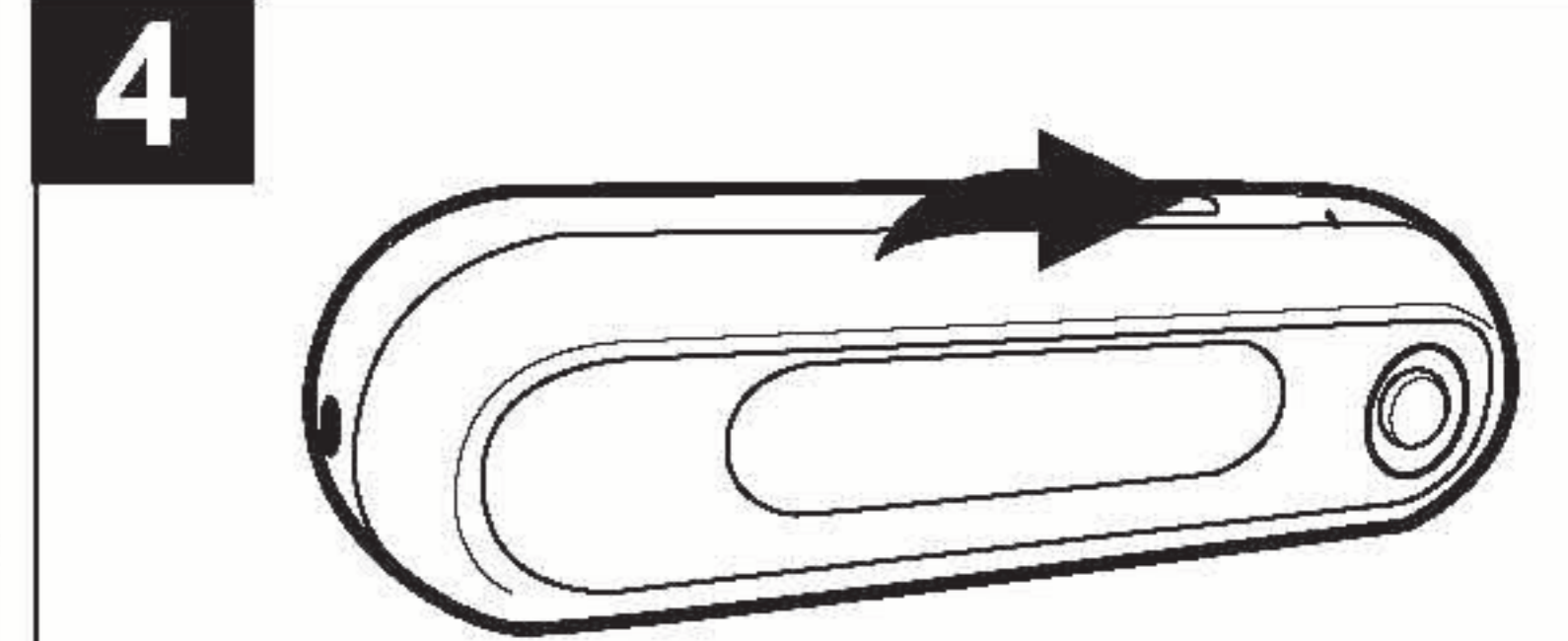
Press the MODE button ❶; the Main menu will appear in the display. Within six seconds, push the Navigation control ❷ towards ◀◀ or ▶▶ until Navigation is selected, then press the Navigation control ❷ to select it.



Push the Navigation control ❶ towards + or – to select a file. Push the Navigation control ❶ towards ◀◀ to return to select another folder in the root folder or when the desired file appears, press the ●/EQ/Repeat/Mono button ❷ to add it to the playlist; a number will appear next to the file. Press the ●/EQ/Repeat/Mono button ❷ to confirm.



You will now be in the root folder. Push the Navigation control towards + or – to select one of the following folders, then press the Navigation control to open the folder:
FM: FM recordings are stored here.
VOICE: Voice recordings are stored here.



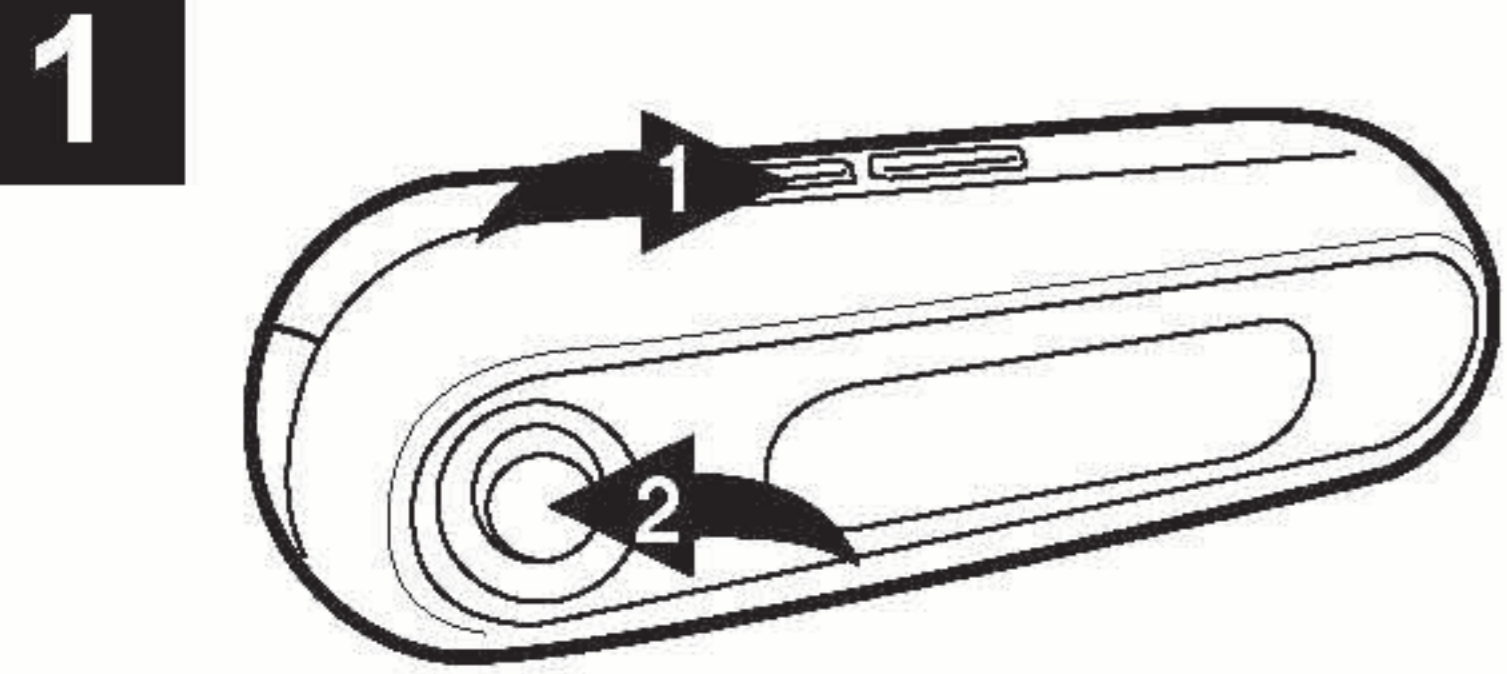
Repeat steps 2 and 3 to add more files. When finished, press the Play/Pause (▶||)/Auto button to exit the navigation menu. See page 26 for to play the playlist.

NOTES:

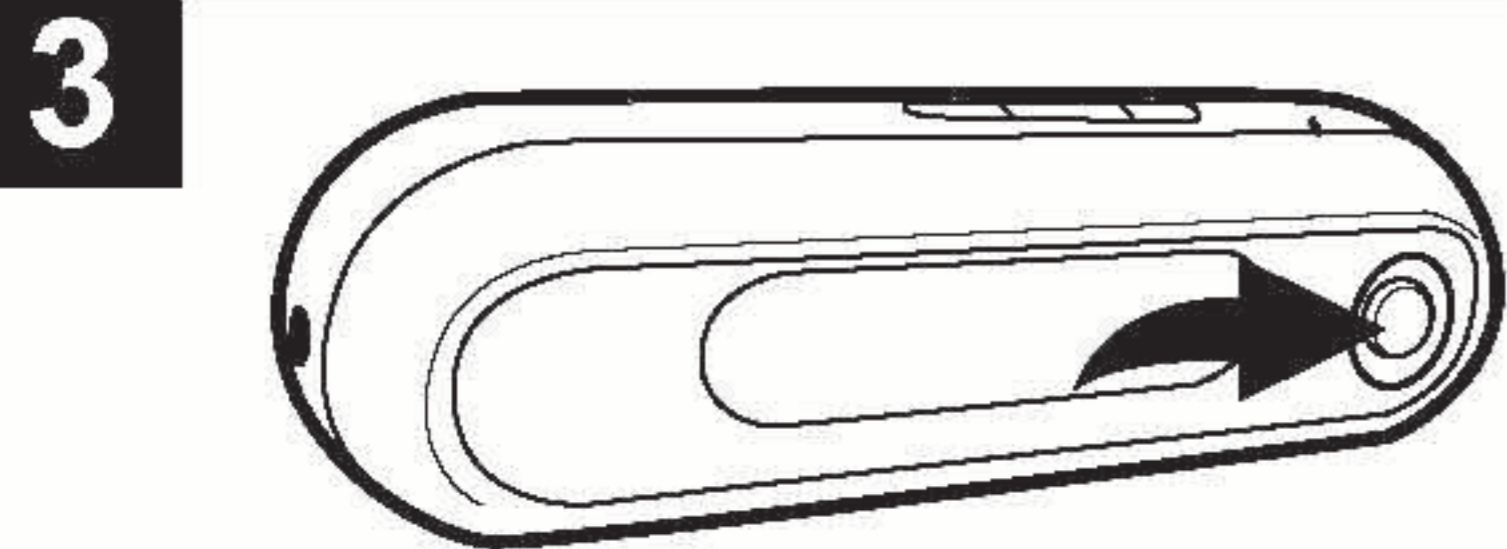
- You can only program the same file into the playlist once.
- The FM or voice recordings cannot be set into the play list.

OPERATION (CONTINUED)

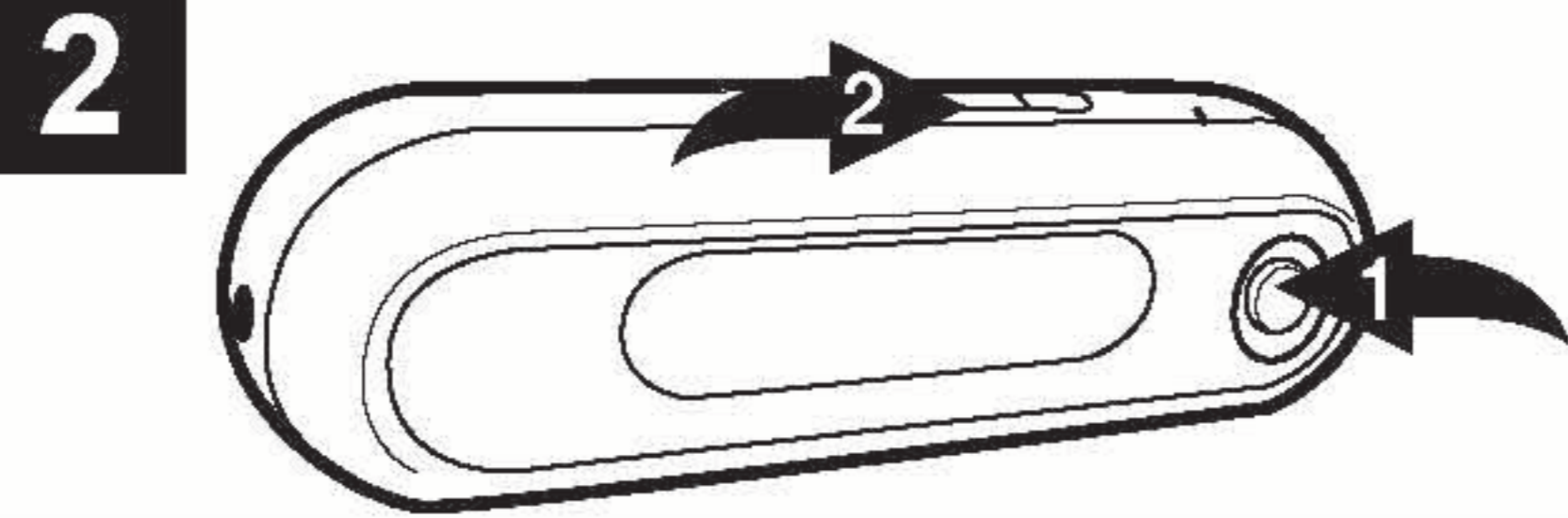
TO VIEW/CLEAR THE PLAYLIST



Press and hold the MODE button ❶; the Settings menu will appear in the display. Within six seconds, push the Navigation control ❷ towards ◀ or ▶ until the PLAY LIST is selected, then press the Navigation control ❷ to select it.



Push the Navigation control towards ◀ or ▶ to select NO or YES, then press the Navigation control; the file/files will then be deleted.



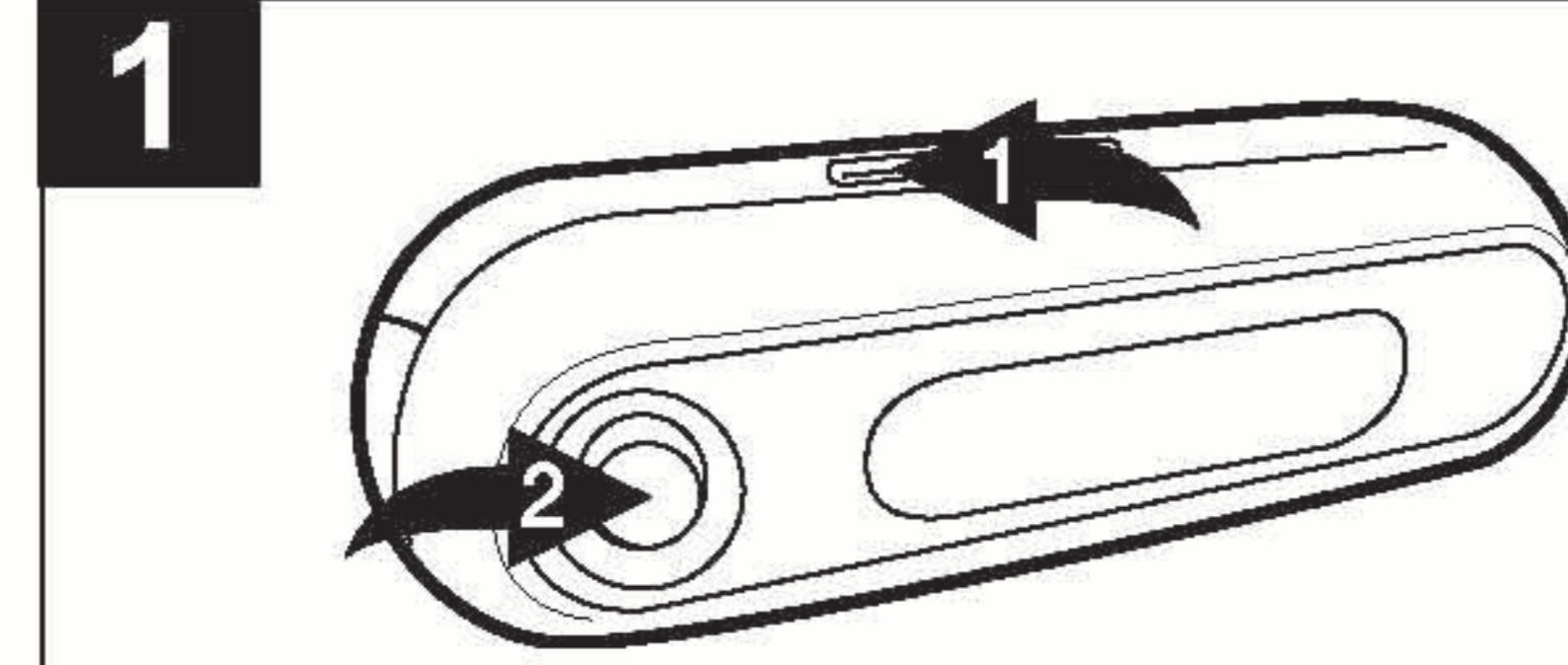
Push the Navigation control ❶ towards + or - to view the play list. To clear the file or all files, (select the file when need to delete by pushing the Navigation control towards + or -), then press the Stop (■)/Preset/FM button ❷. Push the Navigation control ❶ towards + or - to select CLEAR ITEM or CLEAR LIST, then press the Navigation control ❶.

NOTES:

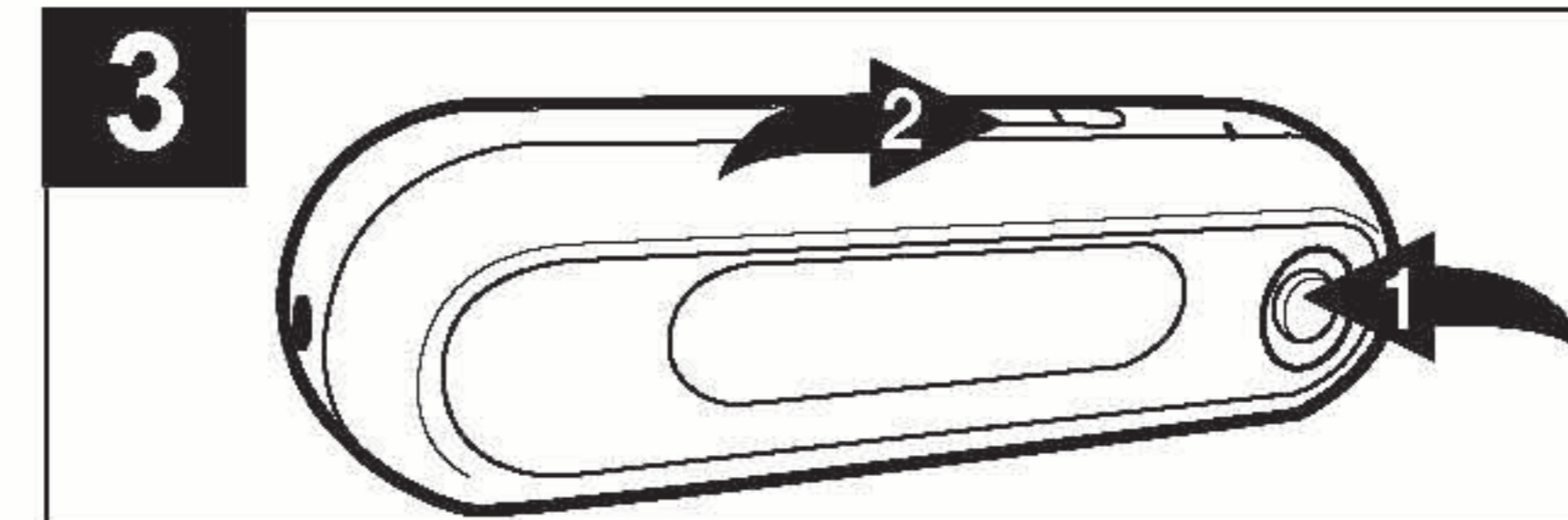
- If you have not programmed a playlist, "PLAY LIST EMPTY" will appear in the display.
- Press the MODE button twice to exit the Setting menu.
- If the file is playing, you cannot enter the CLEAR ITEM or CLEAR LIST selecting menu.

OPERATION (CONTINUED)

DELETING A FILE

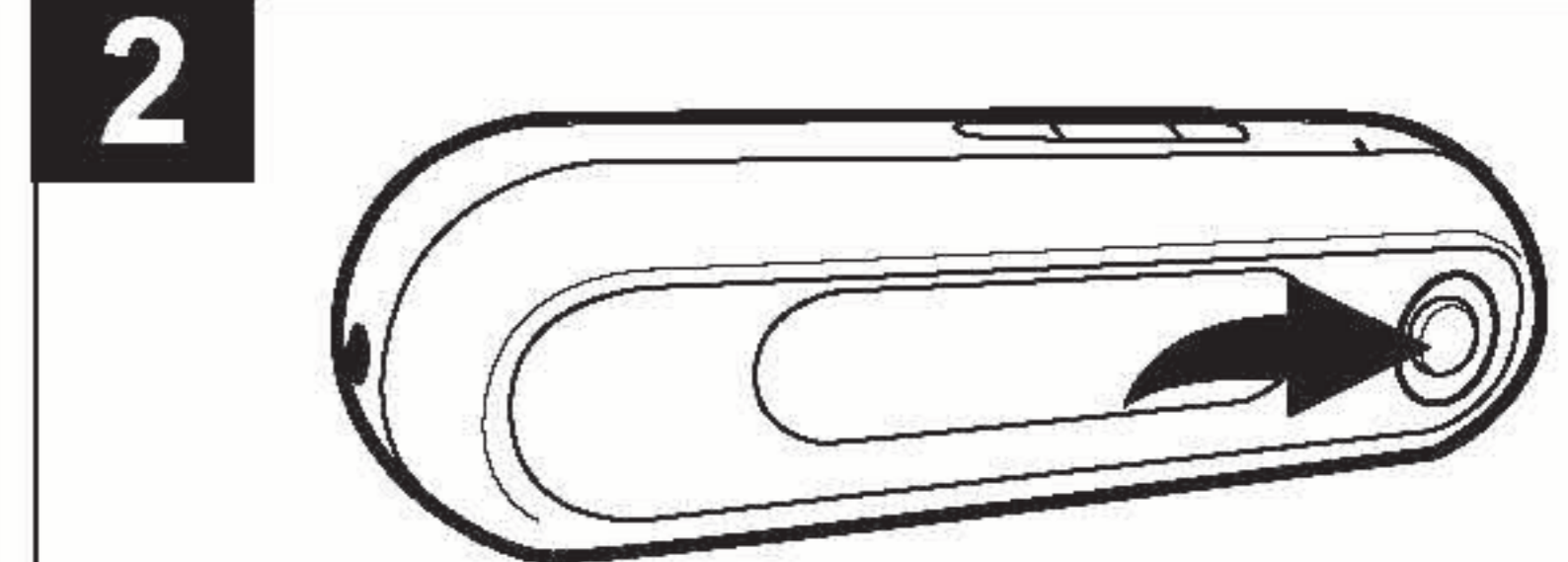


Press the MODE button ❶; the Main menu will appear in the display. Within six seconds, push the Navigation control ❷ towards ◀ or ▶ until Navigation is selected, then press the Navigation control ❷ to select it.

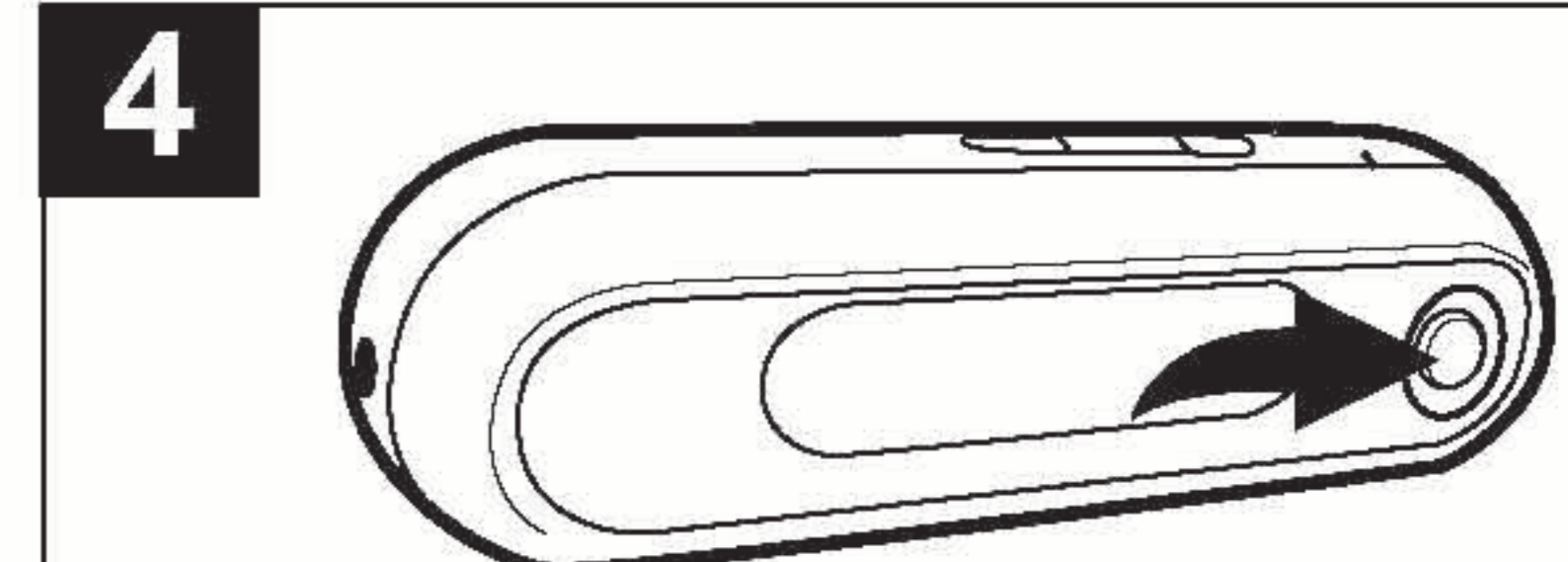


Push the Navigation control ❶ towards + or - to select a file. Push the Navigation control ❶ towards ◀ to return to select another folder in the root folder or when the desired file appears, press the Stop (■)/Preset/FM button ❷; the Delete box will appear. Select DELETE FILE by pushing the Navigation control ❶ towards + or -, then press the Navigation control ❶.

NOTE: A file cannot be deleted if it is playing.



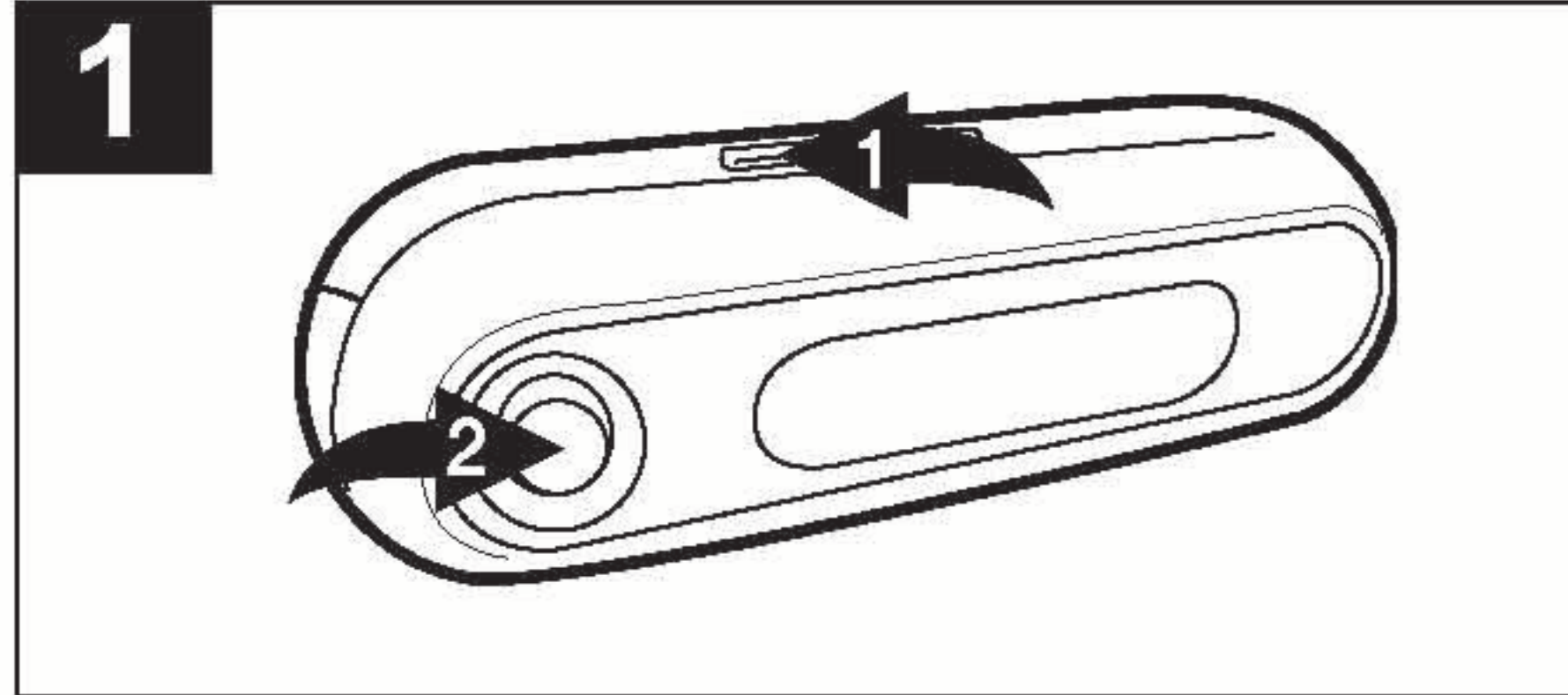
You will now be in the root folder. Push the Navigation control towards + or - to select one of the following folders, then press the Navigation control to open the folder:
FM: FM recordings are stored here.
VOICE: Voice recordings are stored here.



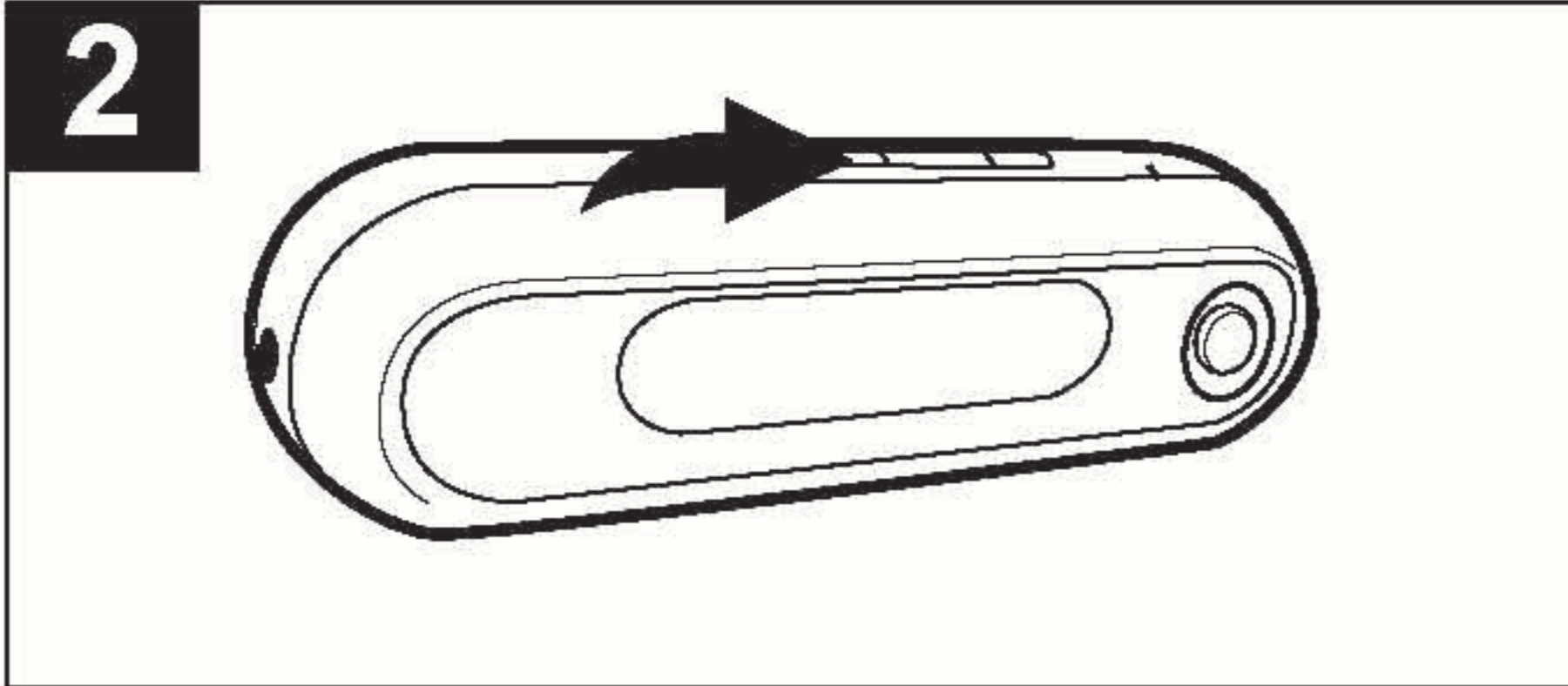
Select YES or NO by pushing the Navigation control towards + or -, then press the Navigation control. To go back to the Root folder, push the Navigation control towards ◀.

OPERATION (CONTINUED)

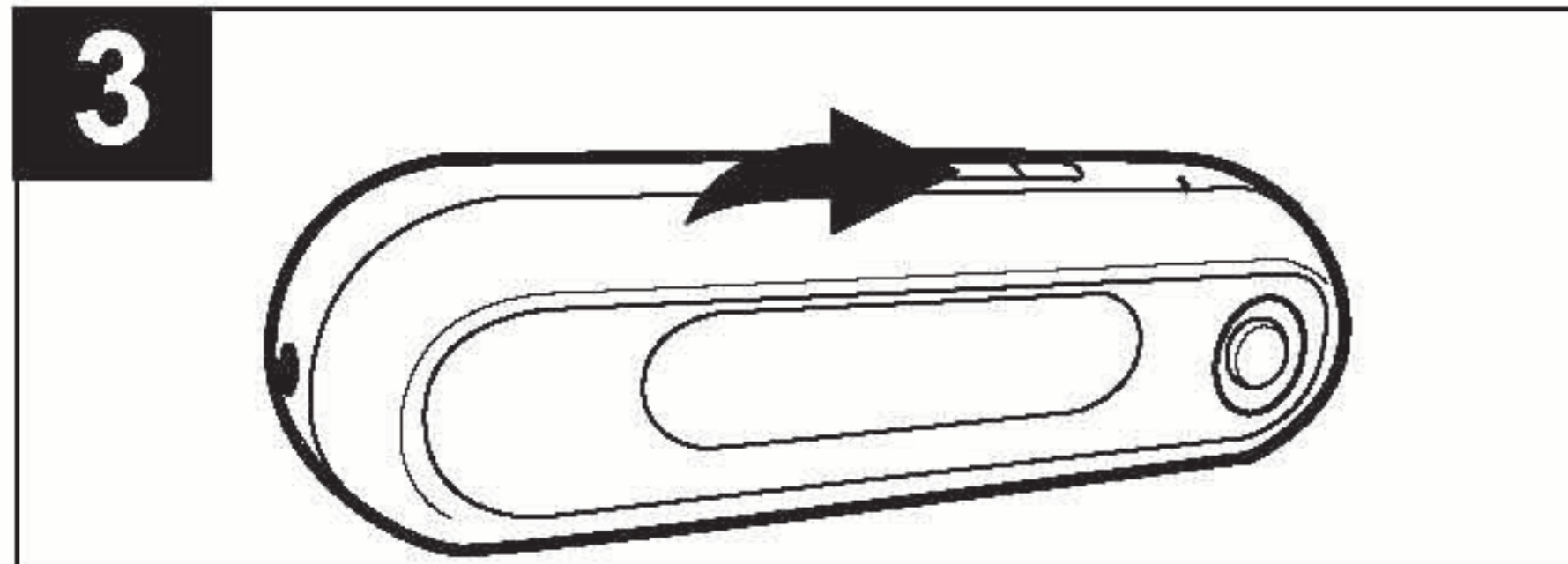
RECORDING A VOICE MESSAGE



Press the MODE button ①; the Main menu will appear in the display. Within six seconds, push the Navigation control ② towards ◀◀ or ▶▶ until Voice recorder is selected, then press the Navigation control ② to select it.



Press and hold the ●/EQ/Repeat/Mono button to start recording; the recorded time and the available remaining recording time will appear and start counting in the display.



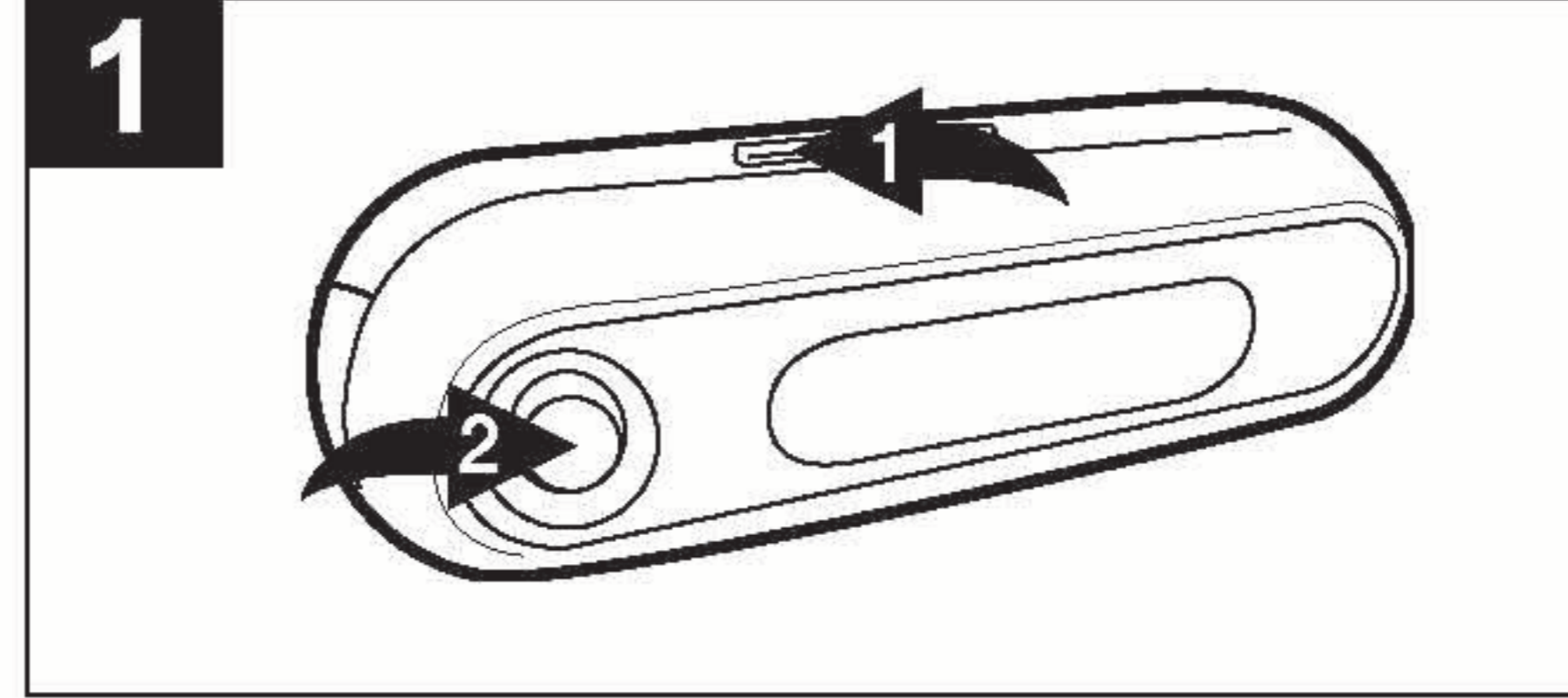
Press the Stop (■)/Preset/FM button to stop recording. See the next page to play the file.

NOTES:

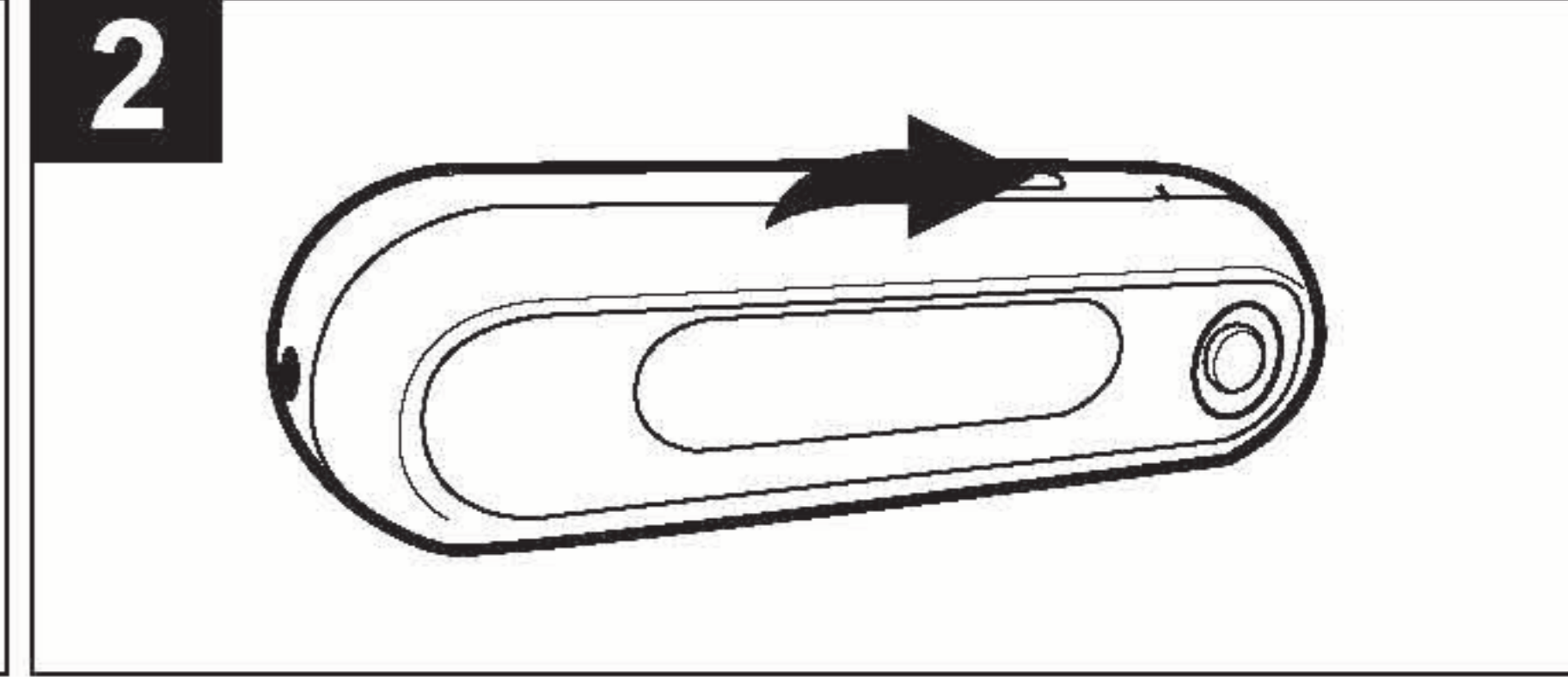
- The recorded file will be saved as a WAV file.
- The recording is not affected by the Volume setting as the volume is set automatically.
- See page 33 to set the recording quality.

OPERATION (CONTINUED)

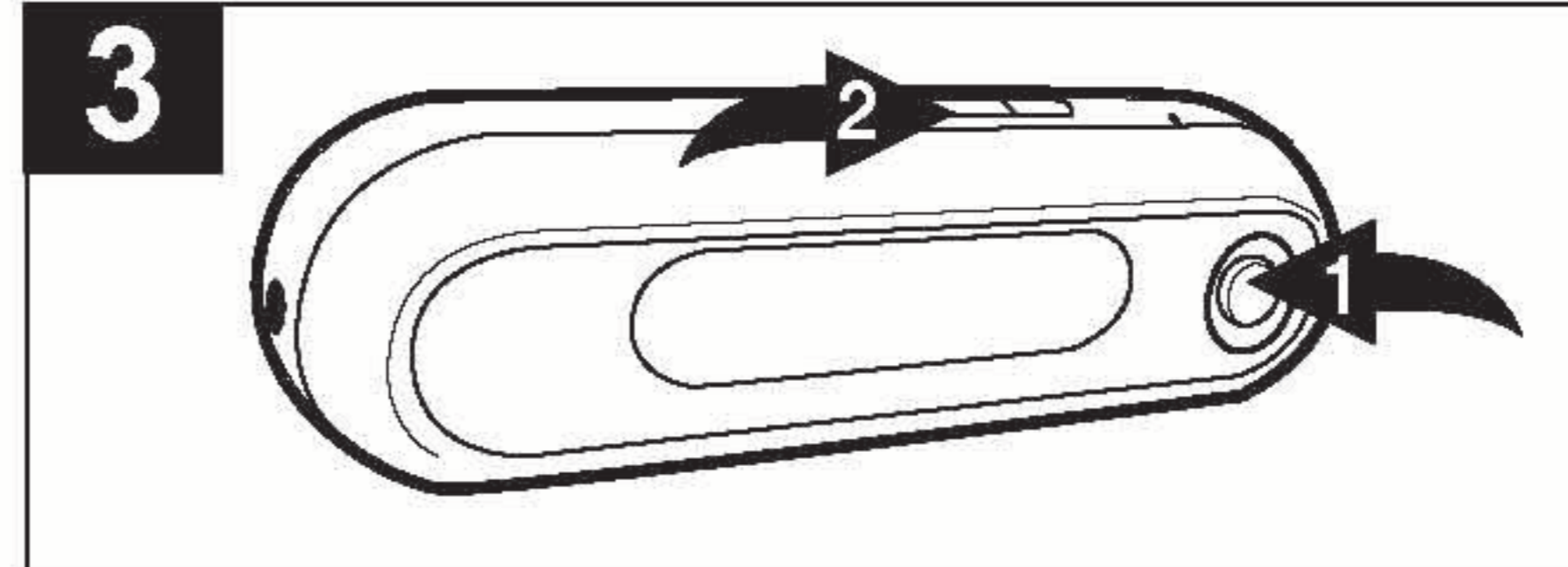
PLAYING VOICE MESSAGE/FM RADIO RECORDINGS



Press the MODE button ①; the Main menu will appear in the display. Within six seconds, push the Navigation control ② towards ◀◀ or ▶▶ until Voice recorder is selected, then press the Navigation control ② to select it.



Press the Play/Pause (▶||)/Auto button to start playing the voice/FM radio recordings. Press the Play/Pause (▶||)/Auto button again to pause, press once more to continue playback.



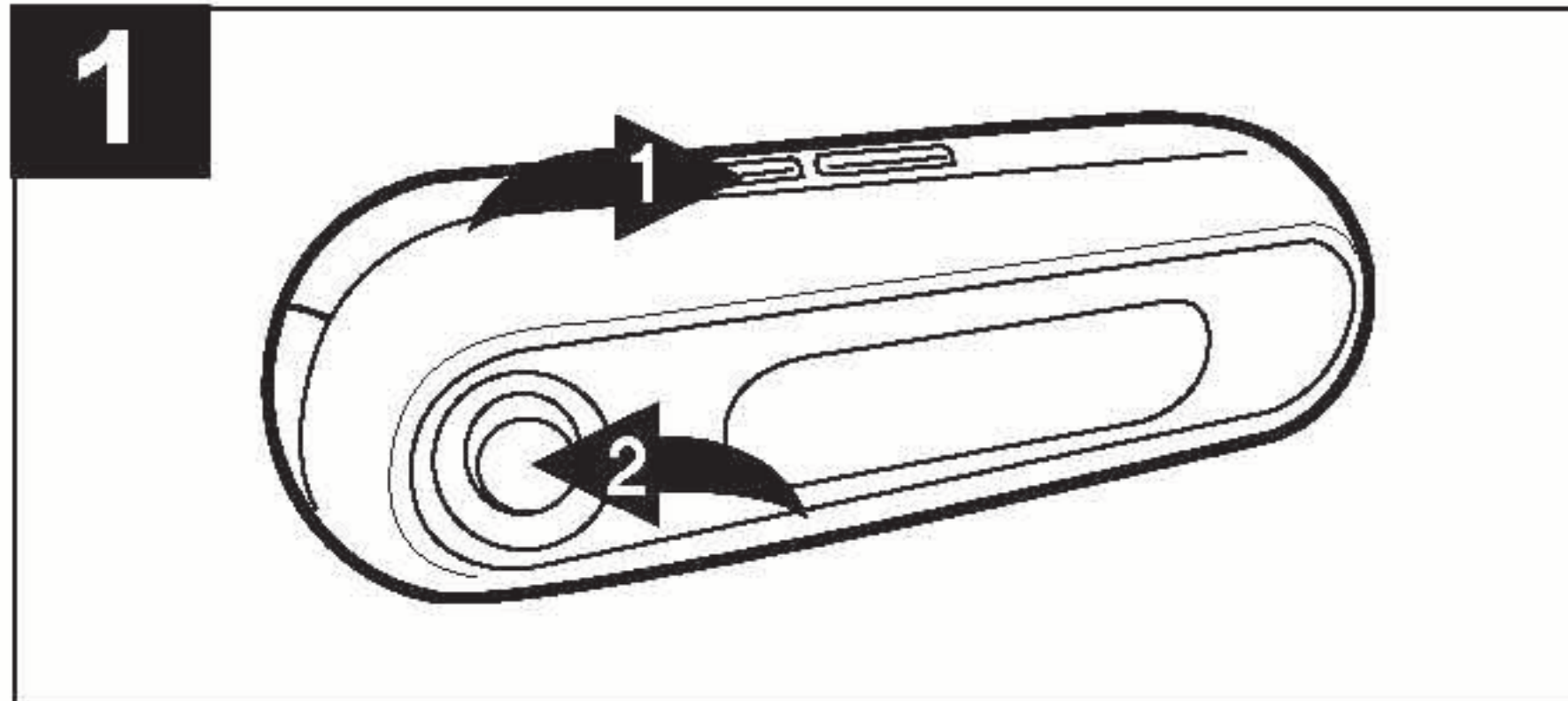
Push the Navigation control ① towards ◀◀ or ▶▶ to skip forward or backward to select voice/FM radio recordings. Press the Stop (■)/Preset/FM button ② to stop listening.

NOTES:

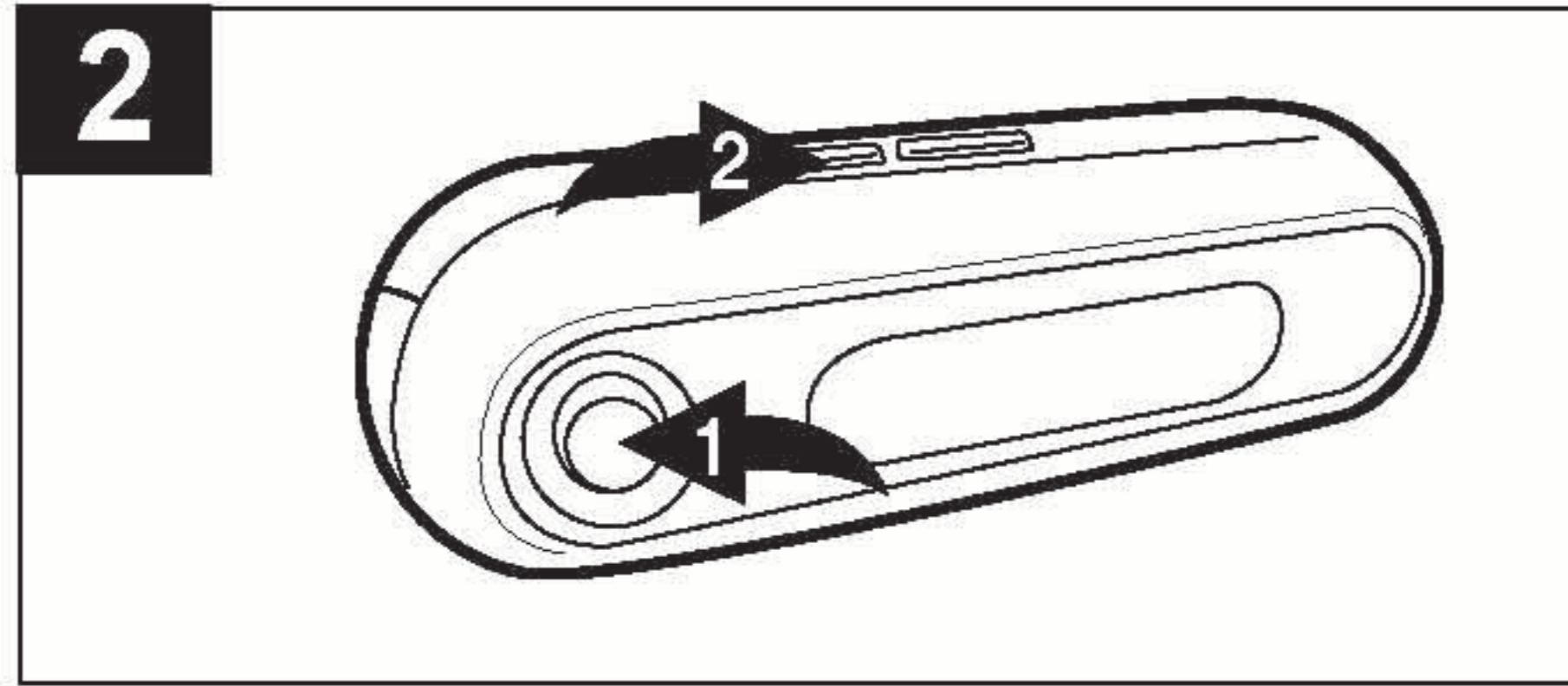
- The recorded file will be saved as a WAV file.
- The recording is not affected by the Volume setting as the volume is set automatically.
- See page 33 to set the recording quality.
- When you enter the Voice Recorder mode, it will start playback of the FM recordings file(s) first, followed by the Voice recordings file(s) automatically.

OPERATION (CONTINUED)

TO SET RECORDING QUALITY

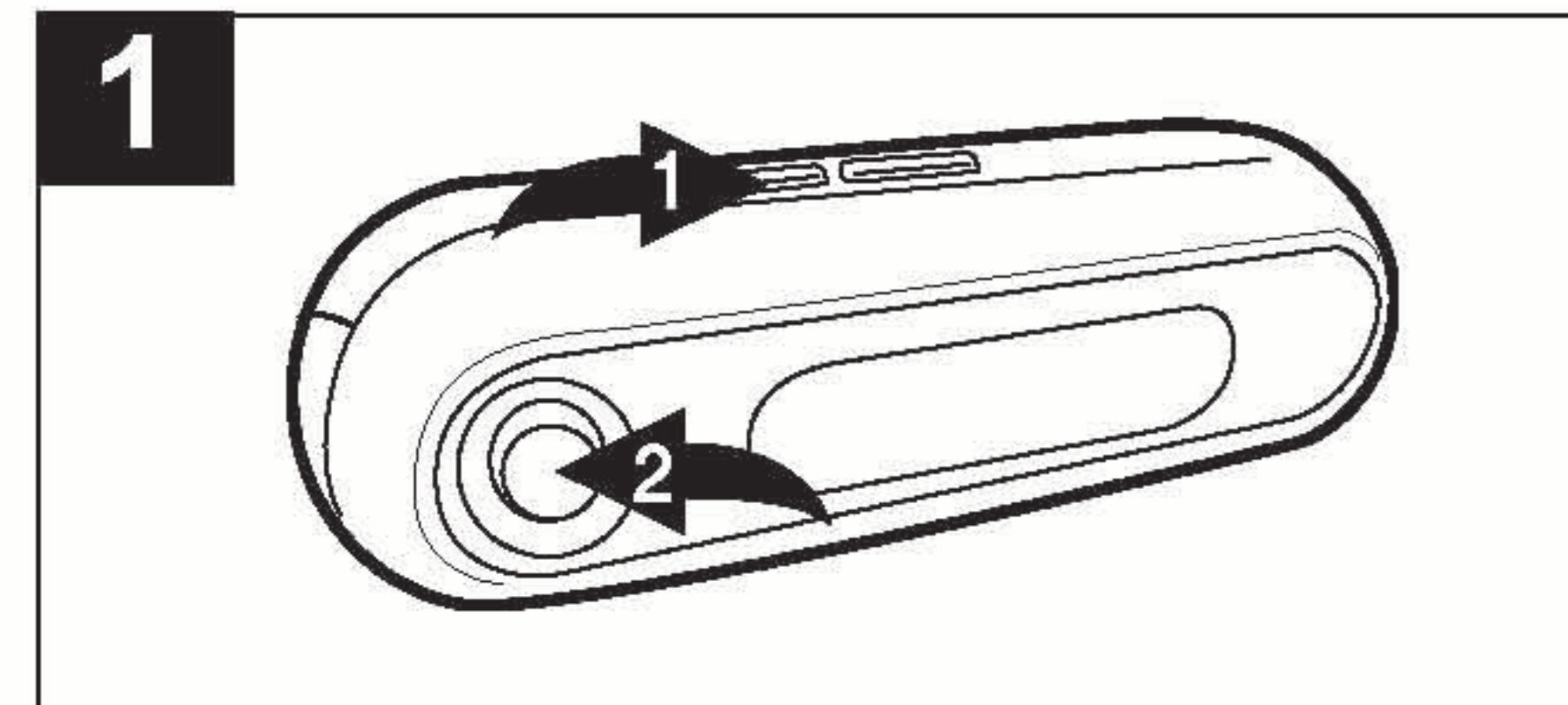


Press and hold the MODE button ❶; the Settings menu will appear in the display. Within six seconds, push the Navigation control ❷ towards ⏪ or ⏩ until the REC RESOLUTION is selected, then press the Navigation control ❷ to select it.

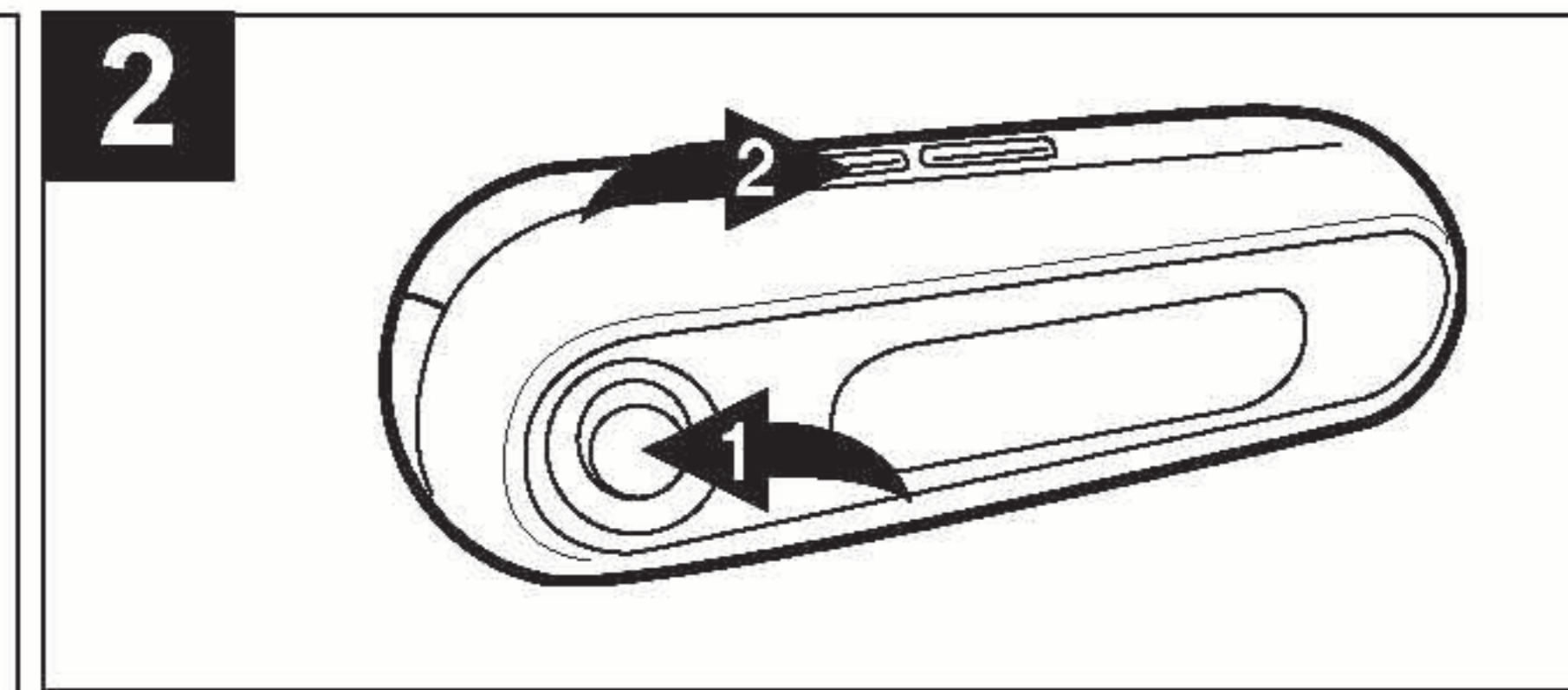


Push the Navigation control ❶ towards + or - to select HIGH, LOW or NORMAL. Press the Navigation control ❶ to select the setting. Press the MODE button ❷ or wait 6 second to exit the setting menu

TO SET THE CONTRAST



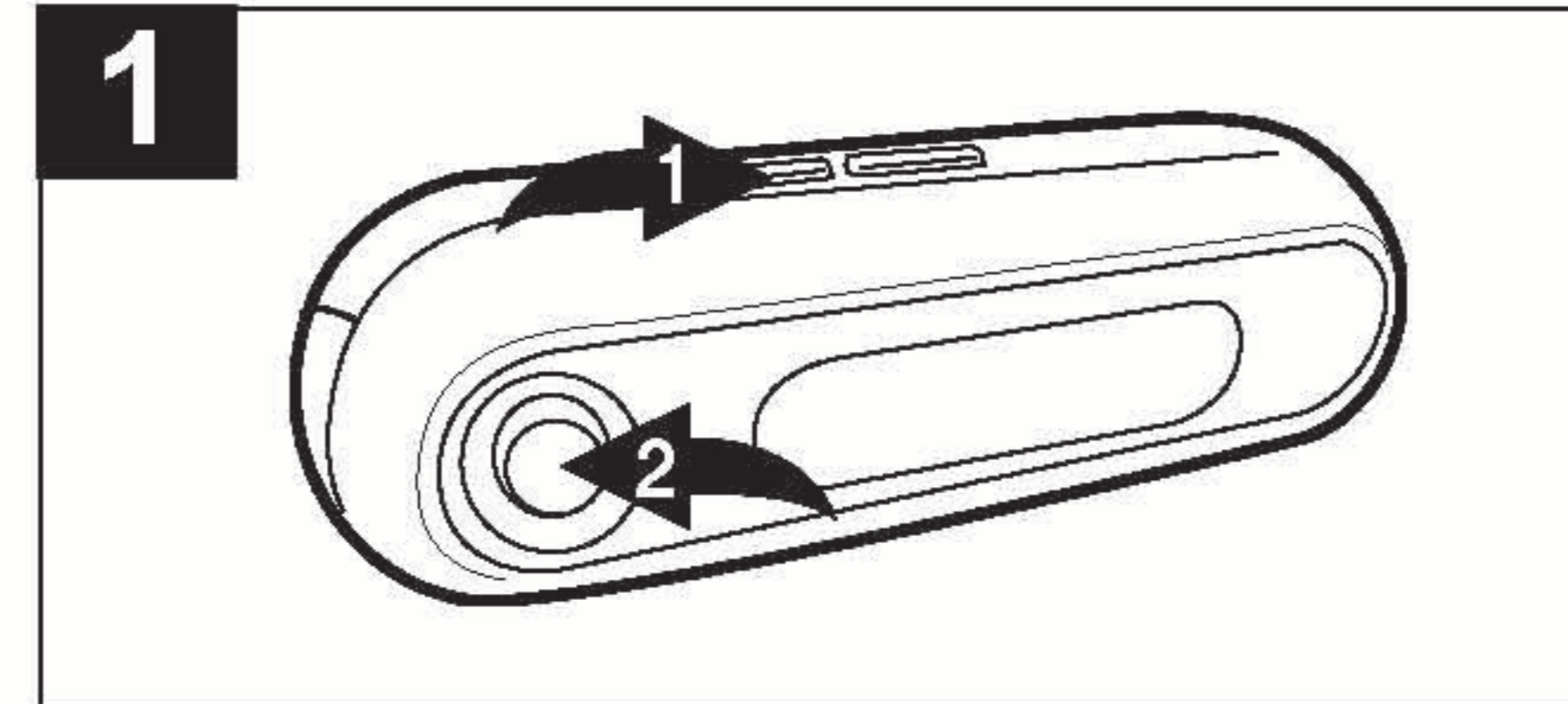
Press and hold the MODE button ❶; the Settings menu will appear in the display. Within six seconds, push the Navigation control ❷ towards ⏪ or ⏩ until the CONTRAST is selected, then press the Navigation control ❷ to select it.



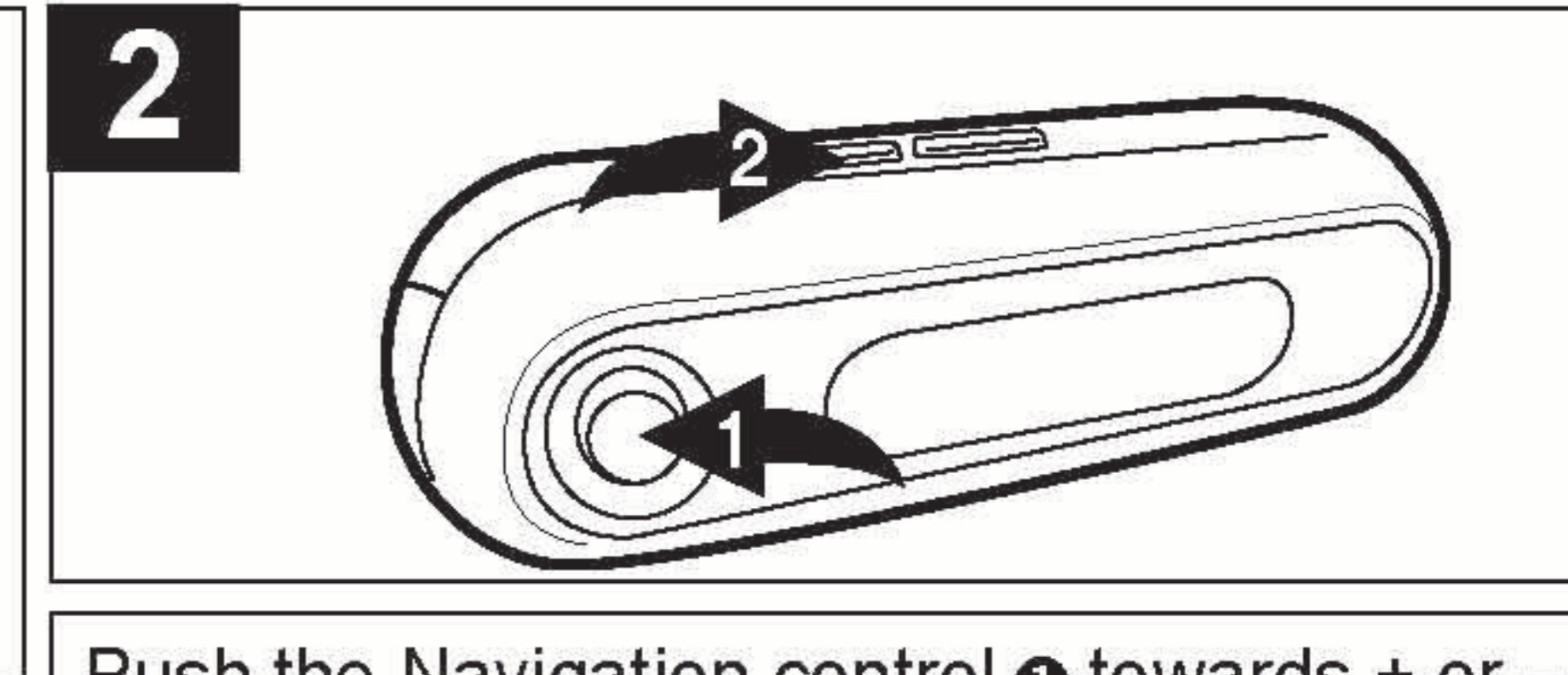
Push the Navigation control ❶ towards ⏪ or ⏩ to raise or lower the contrast. Press the Navigation control ❶ to select the setting. Press the MODE button ❷ or wait 6 second to exit the setting menu

OPERATION (CONTINUED)

TO SET THE EQUALIZER - EQ is for Music playback only.

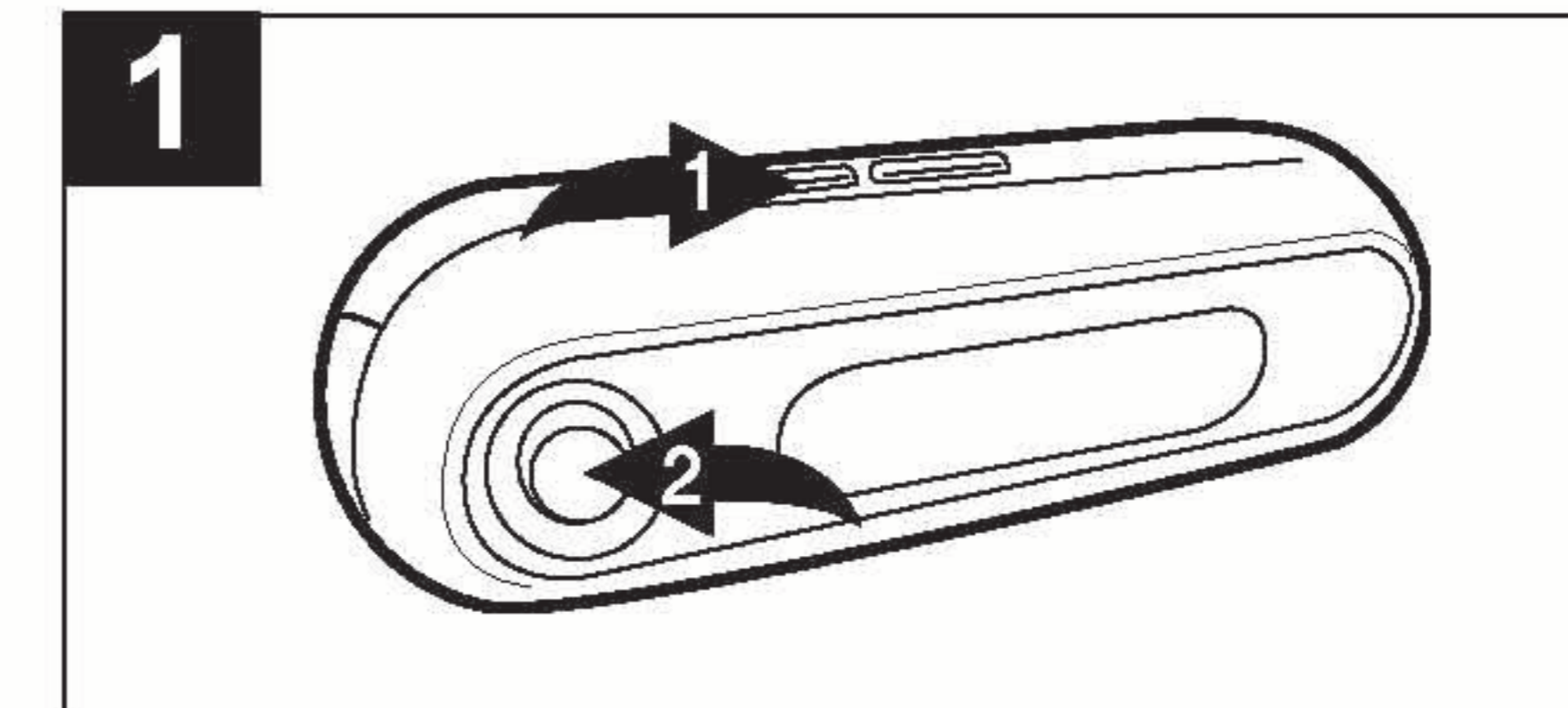


Press and hold the MODE button ❶; the Settings menu will appear in the display. Within six seconds, push the Navigation control ❷ towards ⏪ or ⏩ until the EQUALIZER is selected, then press the Navigation control ❷ to select it.

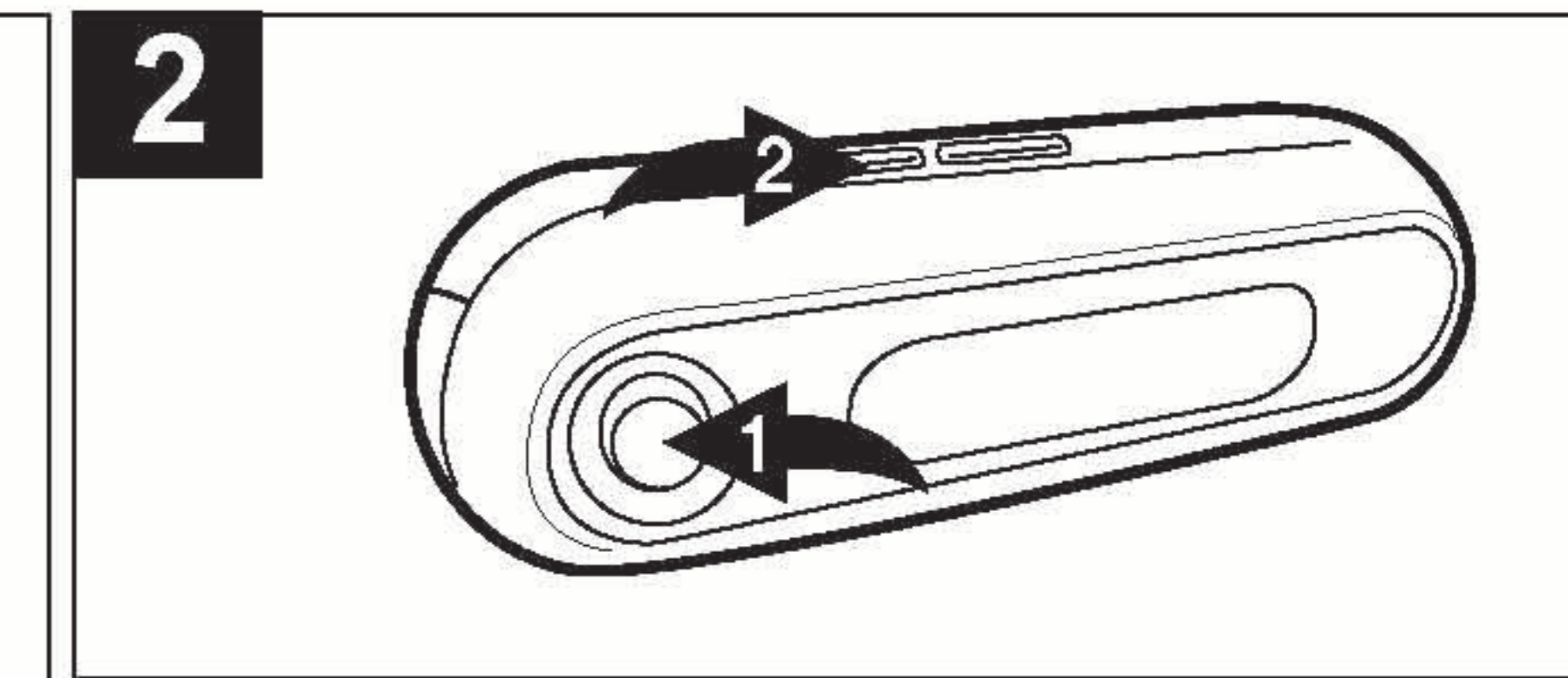


Push the Navigation control ❶ towards + or - to select NORMAL, ROCK, ULTRA BASS, JAZZ, POP or CLASSICAL. Press the Navigation control ❶ to select the setting. Press the MODE button ❷ or wait 6 second to exit the setting menu

TO SET THE PLAY TIMER



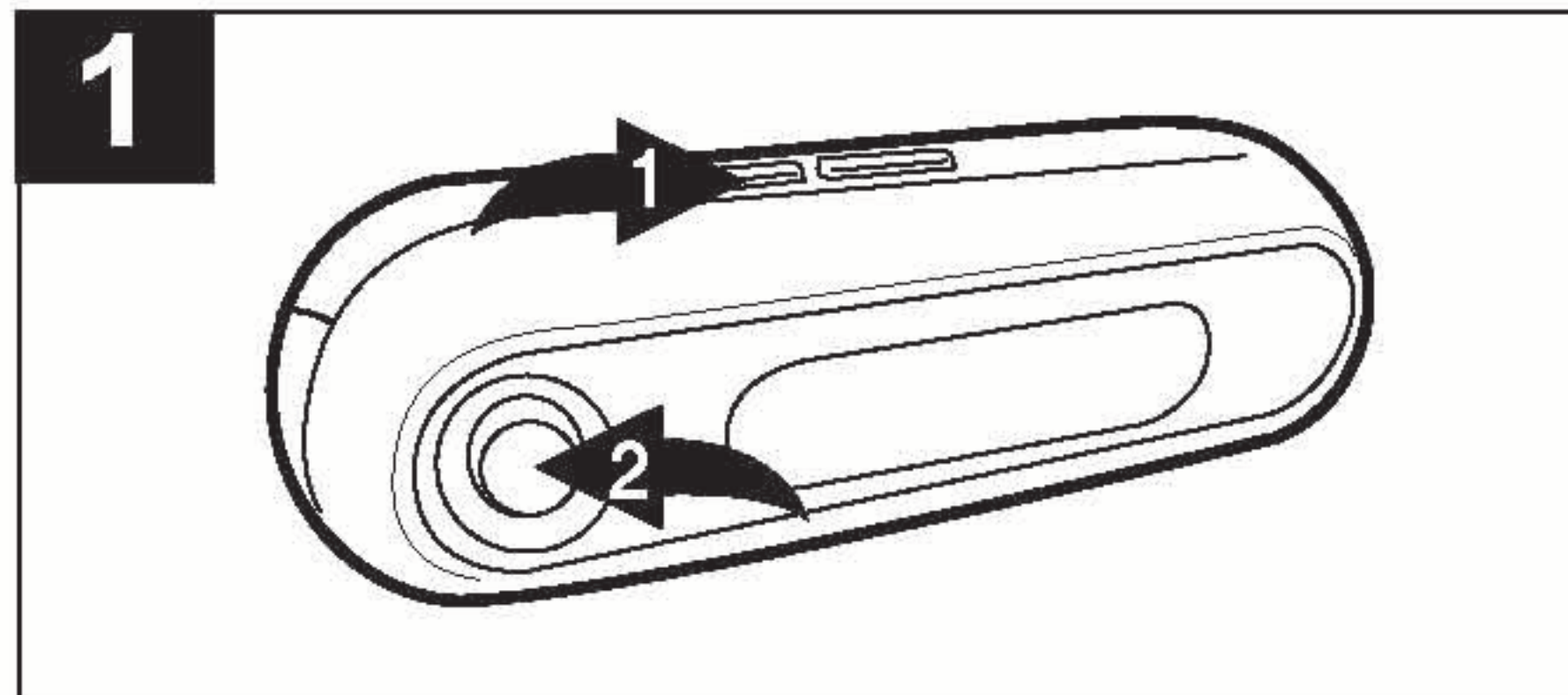
Press and hold the MODE button ❶; the Settings menu will appear in the display. Within six seconds, push the Navigation control ❷ towards ⏪ or ⏩ until the PLAY TIMER is selected, then press the Navigation control ❷ to select it.



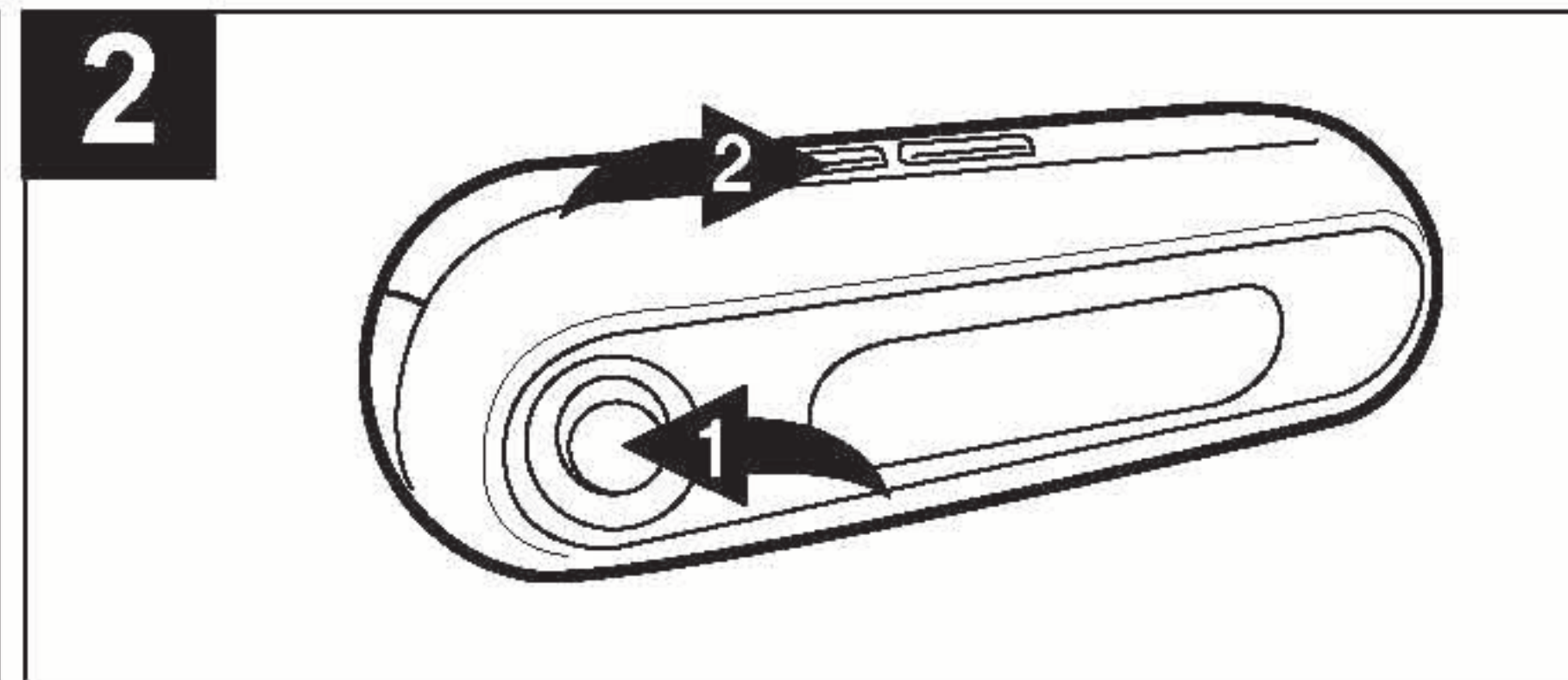
Push the Navigation control ❶ towards + or - to select ELAPSED TIME or REMAINING TIME. Press the Navigation control ❶ to select the setting. Press the MODE button ❷ or wait 6 second to exit the setting menu

OPERATION (CONTINUED)

TO SET THE LIGHT TIMER



Press and hold the MODE button ❶; the Settings menu will appear in the display. Within six seconds, push the Navigation control ❷ towards ◀ or ▶ until the LIGHT TIMER is selected, then press the Navigation control ❷ to select it.



Push the Navigation control ❶ towards + or - to select 5 SEC, 10 SEC, 15 SEC or OFF. This is the time the backlight will be lit before turning off when no buttons are pressed. Select OFF and the backlight will not light. Press the Navigation control ❶ to select the setting. Press the MODE button ❷ or wait 6 second to exit the setting menu

TROUBLESHOOTING GUIDE

If you experience a problem with this unit, check the chart below before calling for service.

SYMPTOM	CAUSE	SOLUTION
Unit will not turn on.	Dead battery, or not installed properly.	Replace battery and install properly.
	Lock switch is in the Lock position.	Slide switch to the Unlock position.
No sound.	Headphones are not inserted.	Insert headphones.
	Volume is set too low.	Raise the volume using the VOLUME + button.
	The MP3 or WMA files are corrupted.	Download uncorrupted files.
FM distorted.	Station not tuned.	Retune station and extend headphone wire.
Download Failure.	Damaged USB cable.	Replace cable.
The computer is not recognizing the player.	The player must be turned on.	Turn the player on.
	The USB cable is not securely connected.	Make sure USB cable is securely connected.
	Driver is not installed or computer is not compatible.	Install driver and/or see pages 7 through 14 for compatibility.
No buttons work.	Lock switch is in the Lock position.	Slide switch to the Unlock position.
WMA files with DRM cannot playback.	Incorrect downloading methods.	See pages 13 for downloading WMA files with DRM.

SPECIFICATIONS

Audio	Frequency Range	20Hz – 20KHz
	Headphones Output	20mW, 16ohm (Max. Vol)
	S/N Ratio	85db (MP3)
File Support	MP3	MPEG 1/2/2.5 Layer 3
	WMA	Windows Media Audio (WMA file with DRM)
	WAV	ADPCM encoding
	Bit Rate	8kbps – 320kbps
	Tag Info	ID3 Tag
FM Tuner	FM Frequency Range	87.5MHz – 108 MHz
	Antenna	Headphones/Earphones Cord Antenna
Misc	Dimension	85 x 26 x 24 mm
	Weight	Approx. 1.0 ounces (without battery)
	Battery	1 x AAA battery
	LCD	Full Graphic with Backlight
	Language	English
	USB	USB 1.1
	Built-in Memory	256MB
	Max. Playtime	Approx. 10 hours (128Kbps, MP3)
	Supported OS	Win ME, 2000, XP and Mac OSX Win 98SE (Driver is required)
	Voice Recording	Approx. 9 hours (Low resolution)
Operating Temperature	23° F to 104° F (-5° C to 40° C)	

Specifications are subject to change without notice.

**FOR FIRMWARE UPGRADE, PLEASE VISIT OUR WEBSITE AT
WWW.MEMOREXELECTRONICS.COM
TO CHECK IF THERE IS NEW FIRMWARE AVAILABLE.**

**FOR ADDITIONAL SET-UP OR OPERATING ASSISTANCE,
PLEASE VISIT OUR WEBSITE AT
WWW.MEMOREXELECTRONICS.COM
OR CONTACT CUSTOMER SERVICE AT (954)660-7100 .**

**PLEASE KEEP ALL PACKAGING MATERIAL FOR AT LEAST 90
DAYS IN CASE YOU NEED TO RETURN THIS PRODUCT TO YOUR
PLACE OF PURCHASE OR TO MEMOREX.**

**FOR PARTS AND ACCESSORIES, CONTACT FOX INTERNATIONAL
AT 1-800-321-6993.**

Memcorp, Inc.
Weston, FL
Printed in China

Visit our website at www.memorexelectronics.com